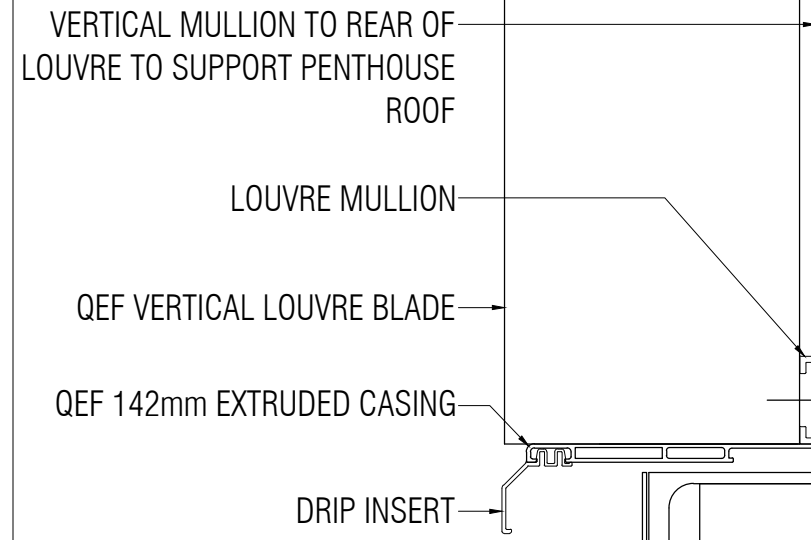
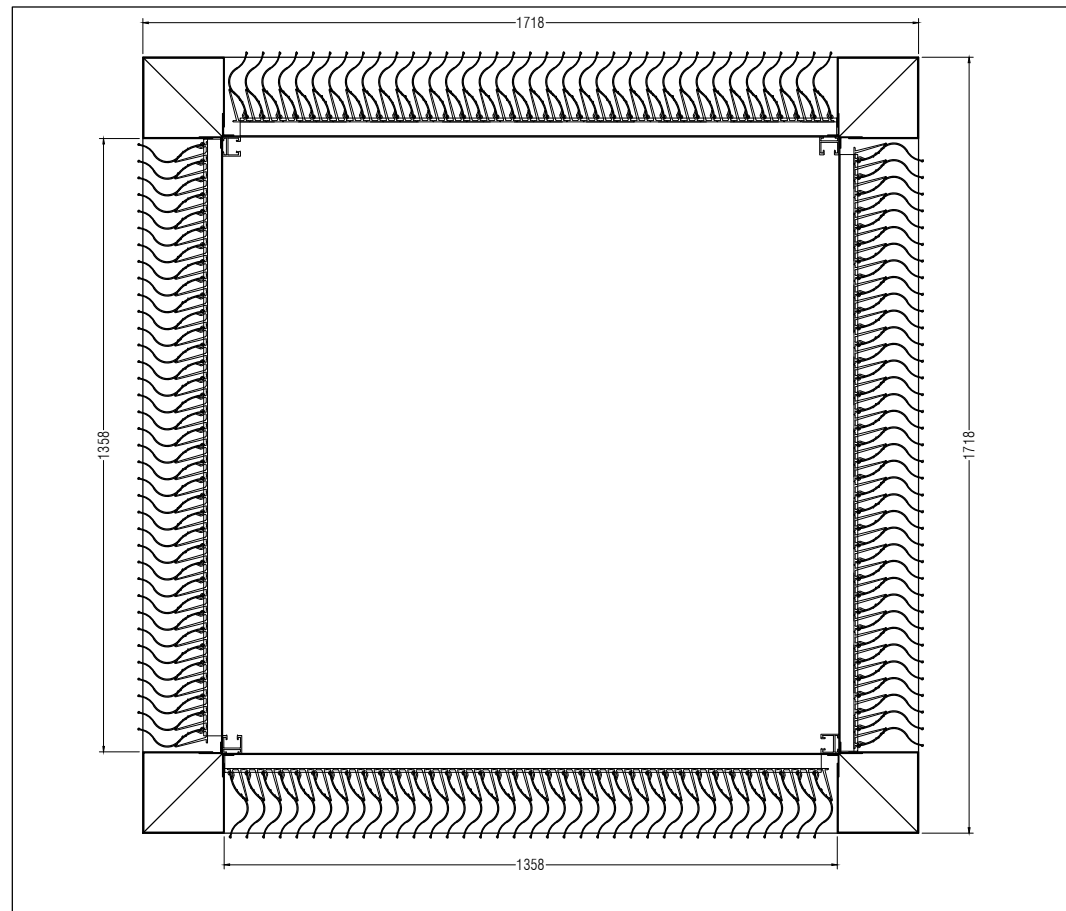


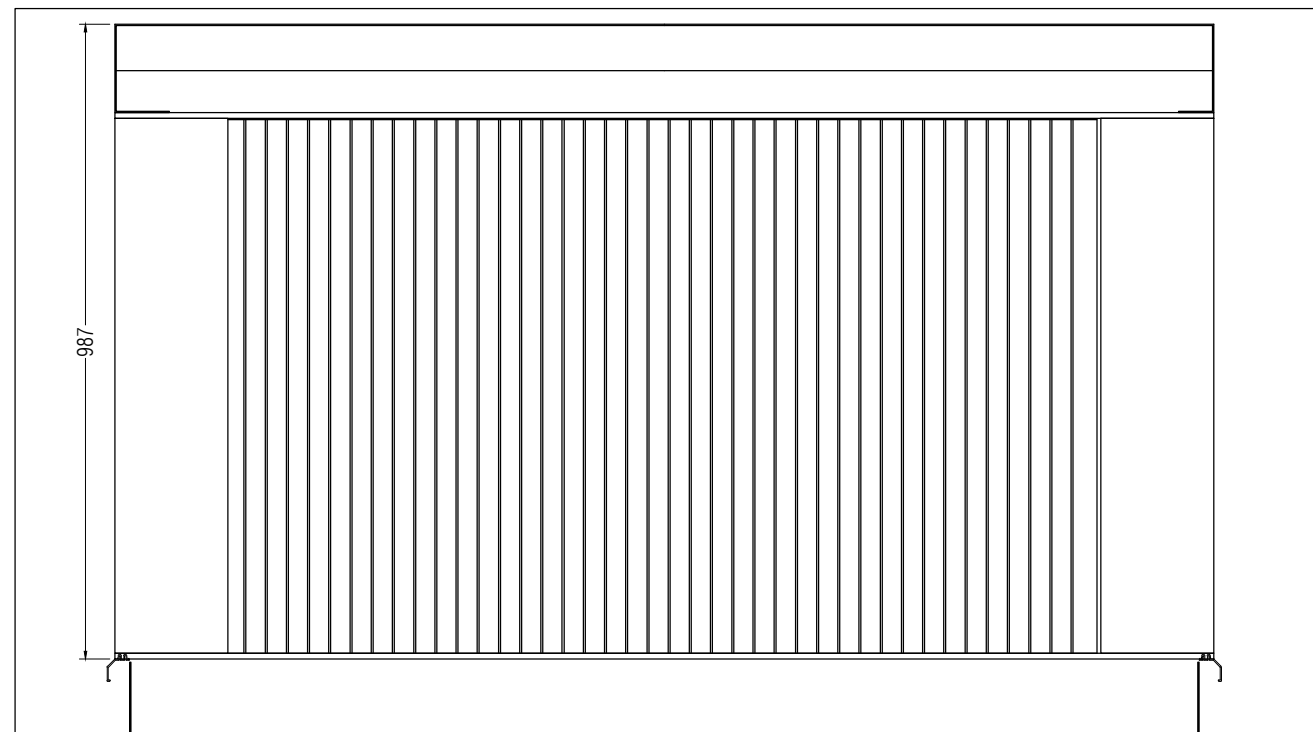
PENTHOUSE END SECTION DETAILS



BASE CONNECTION DETAILS



PLAN DETAILS



SIDE ELEVATION

PENTHOUSE LOUVRE SPECIFICATION

Manufacture: QEF Louvre Penthouse,
 Supplied and installed by QEF Ltd.
 Tel: +353 (0)56 776 4910
 Email: sales@qefltd.ie

Reference: QEF Vertical Dstorm Blade Louvre Penthouse

Description: QEF Vertical Storm Penthouse Louvre with casement surround, mounted on standard 40mm mullion system.

Blade pitch: 37mm.

Roof: The roof is pressed from aluminium sheets and welded at corners.

Material: Manufactured from extruded aluminium alloy 6063 T6.

Finish: Louvre & Roof powder coated to RAL 7004 matt.

Dimensions: All Penthouse Louvres are bespoke to agreed dimensions.

Performance: Refer to QEF Vertical Storm Louvre Data Sheet.

Fixing: Fixed onto prepared upstand by main contractor

Accessories: Bird or insect mesh.

Performance Classification

Limiting Face Velocity	Rating
0m/s Vent	A1
2m/s Vent	A1
3.5m/s Vent	A1

Louvre have an inlet cd of 0.403

Results provided by BSRIA Limited against BSEN 13030



Commercial Centre
 Dublin Road
 Kilkenny
 Tel: +353 (0)56 776 4910
 Fax: +353 (0)56 776 1557
 Website: www.qefltd.ie
 Email: sales@qefltd.ie

Project: QEF Vertical Storm Louvre Standard Penthouse

Details: Louvered Penthouse

Drawn: RAB Date: 17/09/2019 Scale: NTS

Dir.No: P/VA1/WR Rev: