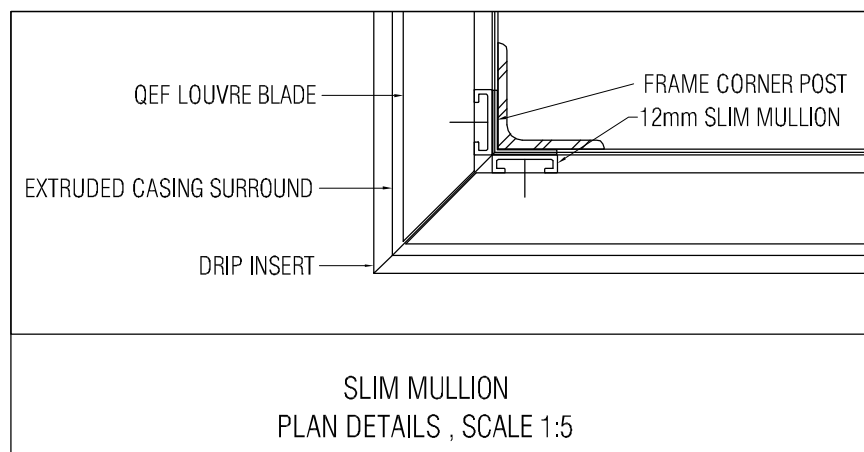
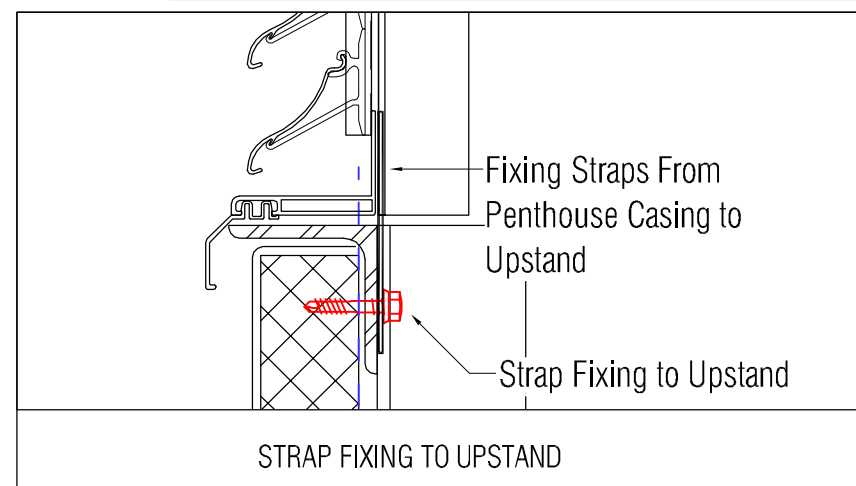


12mm SLIM MULLION  
PENTHOUSE LAYOUT DETAILS  
SCALE 1:16

SLIM MULLION  
FIXING DETAILS, SCALE 1:5



SLIM MULLION  
PLAN DETAILS, SCALE 1:5



STRAP FIXING TO UPSTAND

## PENTHOUSE LOUVRE SPECIFICATION

**Manufacture:** QEF Louvre Penthouse,  
Supplied and installed by QEF Ltd.  
Tel: +353 (0)56 776 4910  
Fax: +353 (0)56 776 1557.

**Reference:** QEF 50 Curved Blade Louvre Penthouse

**Description:** QEF Penthouse Louvre with casement surround, mounted on slim 12mm or standard 40mm mullions.

**Blade pitch:** 50mm.

**Aluminium Roof:** The roof is pressed from 2mm aluminium sheets and welded at corners.

**Material:** Manufactured from extruded aluminium alloy 6063 T6.

**Finish:** Louvre & Roof powder coated to RAL 7004 matt. Support frame where required in mill finish.

**Dimensions:** All Penthouse Louvres are bespoke to agreed dimensions.

**Performance:** Louvre have an inlet cd of 0.34.

**Fixing:** Fixed onto prepared upstand by main contractor

**Accessories:** Bird mesh.

### Performance Classification

Limiting Face Velocity	Rating
0m/s Vent	A2
1m/s Vent	B2
2m/s Vent	C2

Louvre have an inlet cd of 0.34.

Results provided by BSRIA Limited against  
BSEN 13030



Commercial Centre  
Dublin Road  
Kilkenny

Tel: +353 (0)56 776 4910  
Fax: +353 (0)56 776 1557  
Website: www.qef.co.ie  
Email: sales@qef.co.ie

**Project:** QEF 50 Curved Louvre  
Small Penthouse

**Details:** Louvered Penthouse  
Slim Mullion Construction

**Drawn:** RS **Date:** 14/04/16 **Scale:** 1:16, 1:5

**Drp.No.:** P/50C/SM **Rev.:**