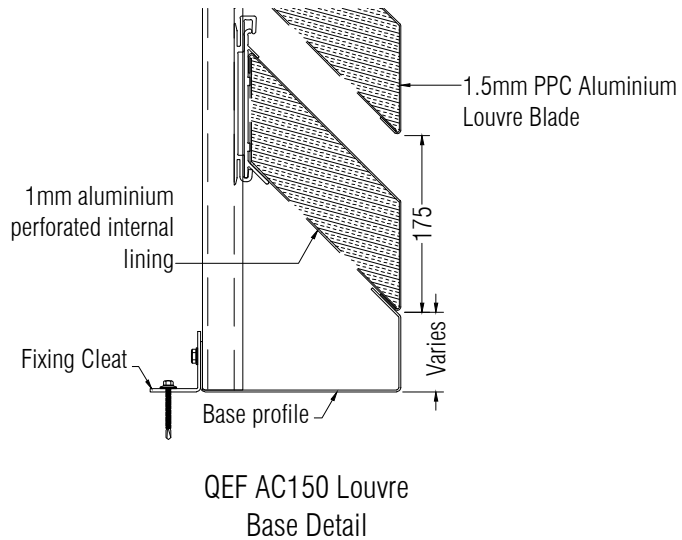
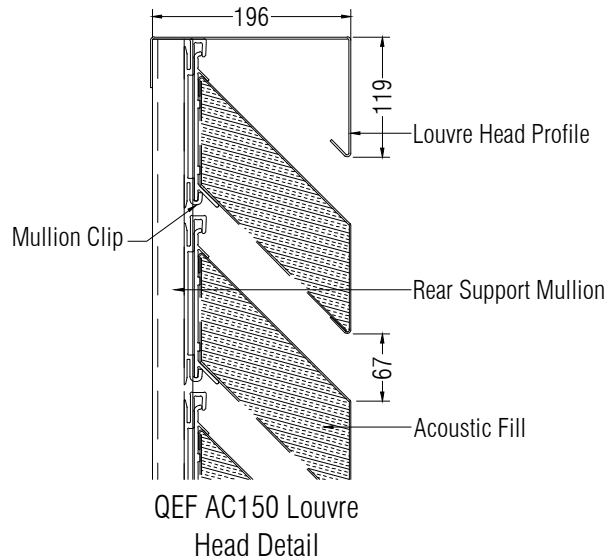


QEF AC150 ACOUSTIC LOUVRE M/C FORMAT

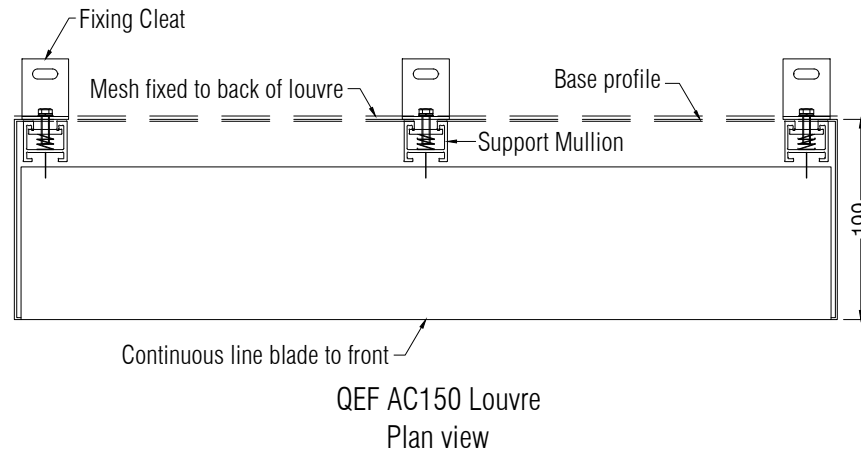


Acoustic Performance to BS EN ISO 10140-2:2010.
SRL Test Report No: C/23553/T01

Octave Band Centre Frequency (Hz)	63	125	250	500	1k	2k	4k	8k
Transmission Loss (dB)	10.7	4.4	5.7	6.6	10.9	13.1	12.3	13.3
Acoustic Rating	Rw 11 dB							

Aerodynamic Performance to BS EN ISO 13030:2001.
BSRIA Test Report No: 59986/4

Face Velocity (m/s)	0.60	0.81	1.06	1.26	1.48	1.79	2.32	2.74	3.08	3.19
Pressure Drop (Pa)	9.9	19.0	32.8	46.8	65.5	96.5	165	231	295	315
Coefficient Ce and Class	0.143 Class 4									



Specification

Manufacture & Reference: QEF AC150 Acoustic Louvre System, supplied and installed by QEF Ltd.
Tel: +353 (0)56 776 4910
Fax: +353 (0)56 776 1557.

Description: Single bank extruded aluminium acoustic louvre with casement surround, mullion/clip format, fixed to structure with adjustable galvanised steel or S/S cleats.

Blade pitch: 175mm

Material: Manufactured from extruded aluminium alloy 6063 T6.

Acoustic Fill: Polyester Fibre.

Finish: Polyester powder coated to RAL or BS colour, in matt, satin or gloss finishes

Dimensions: All Louvres are bespoke to clients needs

Performance: Acoustic performance as per table. Free area, based on 2500mm High is 27%

Fixing: All structural support by main contractor

Accessories: Bird / insect mesh, blanking / insulated blanking plate to rear. Single / Double doors.

Performance Classification

Limiting Face Velocity	Rating
0m/s Vent	C4
0.5m/s Vent	C4
1.0m/s Vent	D4

Results provided by BSRIA Limited against BSEN 13030



Commercial Centre
Dublin Road
Kilkenny

Tel: +353 (0)56 776 4910
Fax: +353 (0)56 776 1557
Website: www.qefltd.ie
Email: sales@qefltd.ie

Drawn: TB	Date: 23.03.2017	Scale: NTS
Org.No: AC150/MC	Rev:	