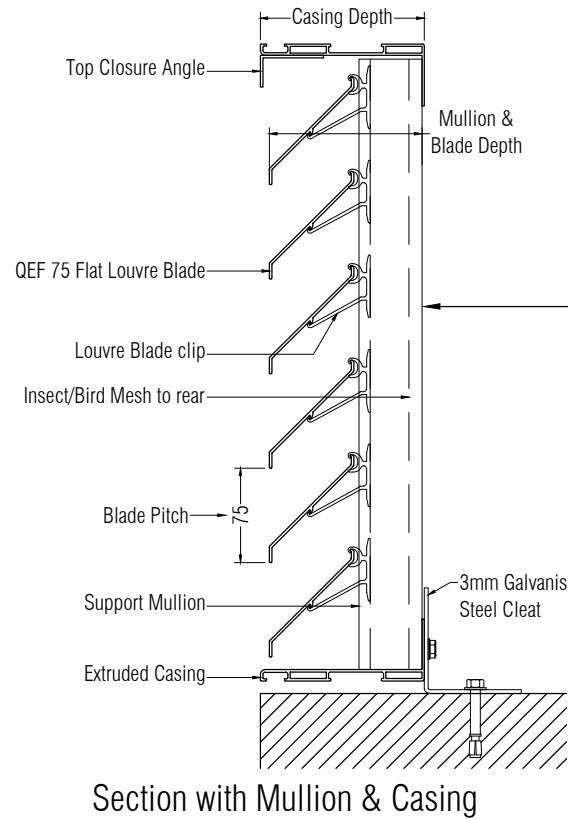


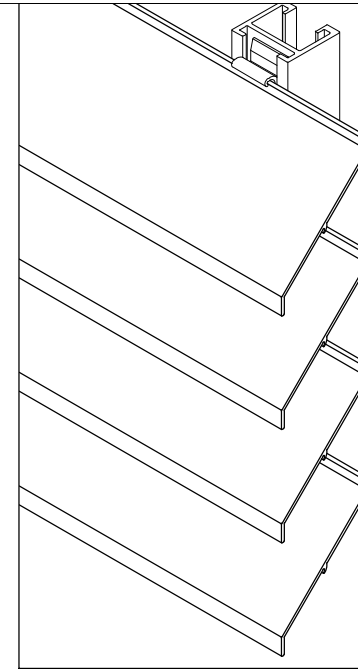
QEF 75 Flat Blade Louvre Data Sheet



Depth Table for Louvres

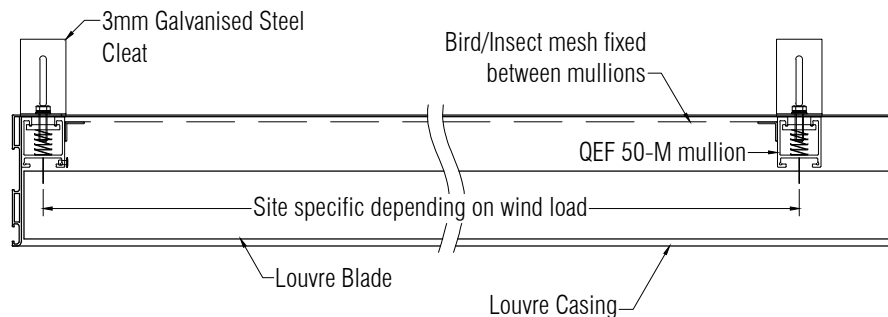
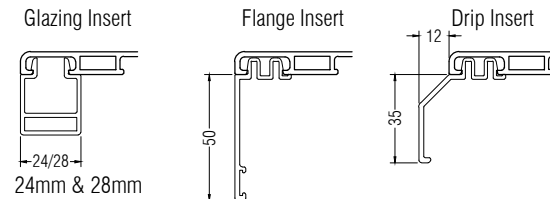
75F Louvre Depth		
Mullion Type	Depth with Mullion	Casing Depth
12-M	83mm	100mm
40-M	111mm	130mm
50-M	121mm	130mm
73-M	144mm	155mm

50-M used as standard and shown in section. Contact QEF to discuss site specific mullion & blade spans.



Isometric Detail

Casing Insert Options



Plan Detail

Specification

Manufacture & Reference: QEF 75F Louvre System, supplied and installed by QEF Ltd.
Tel: +353 (0)56 776 4910
Email: sales@qeftd.ie

Description: 75mm Flat ventilation Louvre with casement surround, mounted on mullions fixed to structure with grade A4 stainless steel fasteners and adjustable galvanised steel cleats.

Blade pitch: 75mm.

Material: Manufactured from extruded aluminium alloy 6063 T6.

Finish: Polyester powder coated to RAL or BS colour, in matt, satin or gloss finishes

Dimensions: All Louvres are bespoke to clients needs

Performance: Nominal Free Area: 57%

Fixing: Mullion spacing and fixing centres to rear steel (by others) subject to site wind loads and independent engineering.

Accessories: Bird / insect mesh, blanking / insulated blanking plate to rear. Single / Double doors.



Commercial Centre, Dublin Road, Kilkenny, R95 TR82, Ireland

Tel: +353 (0)56 776 4910
Website: www.qeftd.ie
Email: sales@qeftd.ie

Drawn: RAB	Date: 30/01/2019	Scale: NTS
Dwg.No: L/75F/S/H	Rev: C	