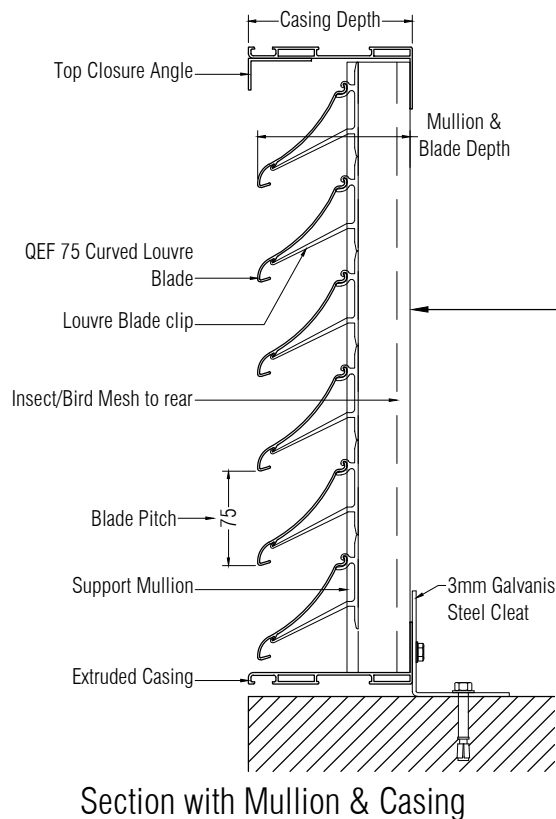


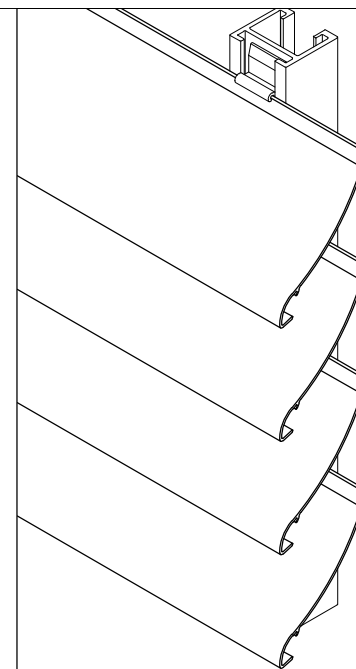
# QEF 75 Curved Blade Louvre Data Sheet



Depth Table for Louvres

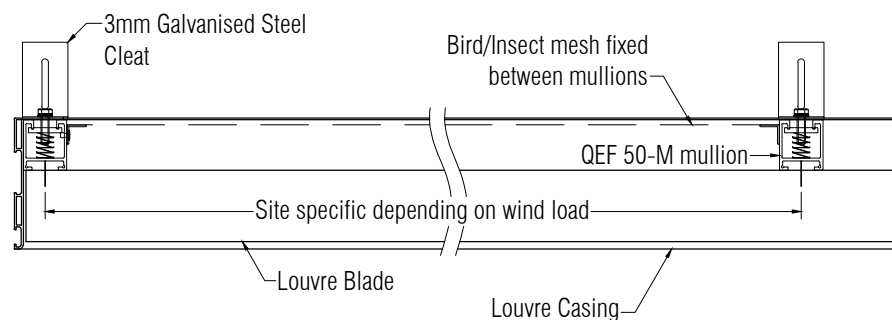
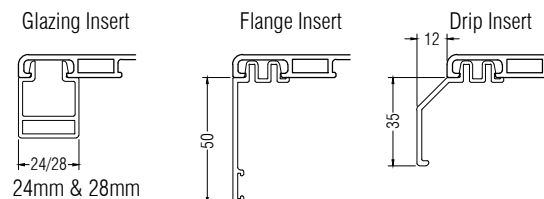
75C Louvre Depth		
Mullion Type	Depth with Mullion	Casing Depth
12-M	83mm	100mm
40-M	111mm	130mm
50-M	121mm	100mm
73-M	144mm	155mm

50-M used as standard and shown in section. Contact QEF to discuss site specific mullion & blade spans.



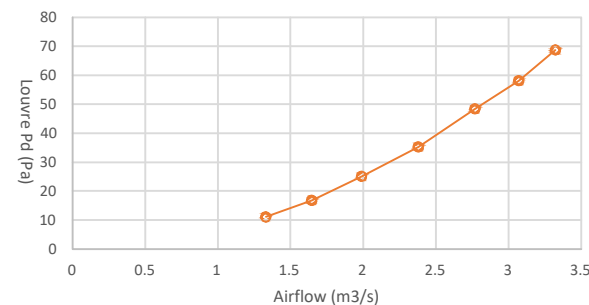
Isometric Detail

Casing Insert Options



Plan Detail

Resistance to Airflow ( $C_e$ )



## Specification

**Manufacture & Reference:** QEF 75C Louvre System, supplied and installed by QEF Ltd.  
Tel: +353 (0)56 776 4910  
Email: sales@qeftd.ie

**Description:** 75mm Curved ventilation Louvre with casement surround, mounted on mullions fixed to structure with grade A4 stainless steel fasteners and adjustable galvanised steel cleats.

**Blade pitch:** 75mm.

**Material:** Manufactured from extruded aluminium alloy 6063 T6.

**Finish:** Polyester powder coated to RAL or BS colour, in matt, satin or gloss finishes

**Dimensions:** All Louvres are bespoke to clients needs

**Performance:** Louvre have an inlet cd of 0.315. Nominal Free Area: 57%

**Fixing:** Mullion spacing and fixing centres to rear steel (by others) subject to site wind loads and independent engineering.

**Accessories:** Bird / insect mesh, blanking / insulated blanking plate to rear. Single / Double doors.

## Performance Classification

Limiting Face Velocity	Rating
0m/s Vent	B2
1.0m/s Vent	C2
2.0m/s Vent	D2

Results provided by BSRIA Limited against BSEN 13030 with insect mesh fitted



Commercial Centre, Dublin Road, Kilkenny, R95 TR82, Ireland

Tel: +353 (0)56 776 4910  
Website: www.qeftd.ie  
Email: sales@qeftd.ie

Drawn: RAB	Date: 30/01/2019	Scale: NTS
Drwg.No: L/75C/S/H	Rev: C	