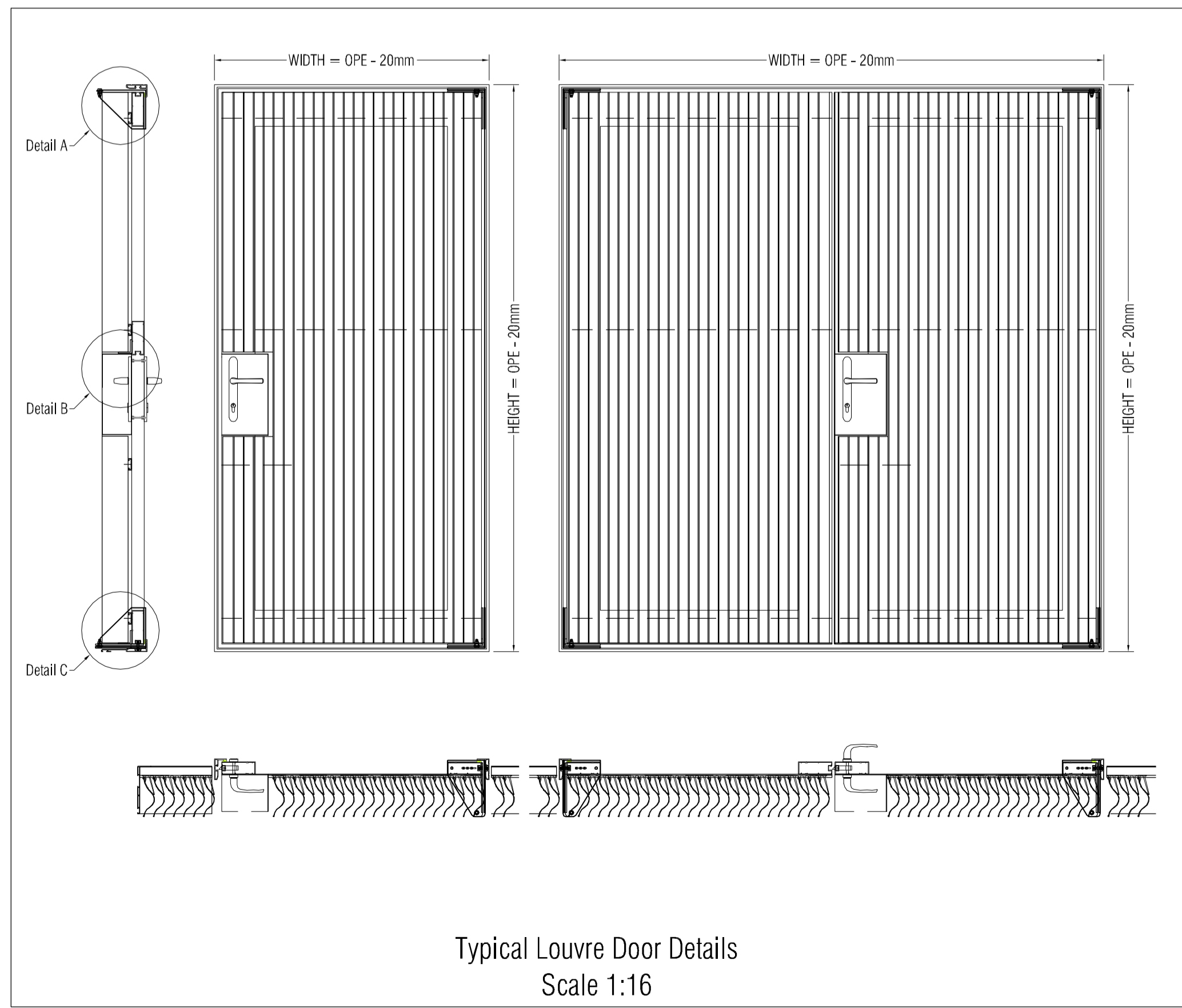
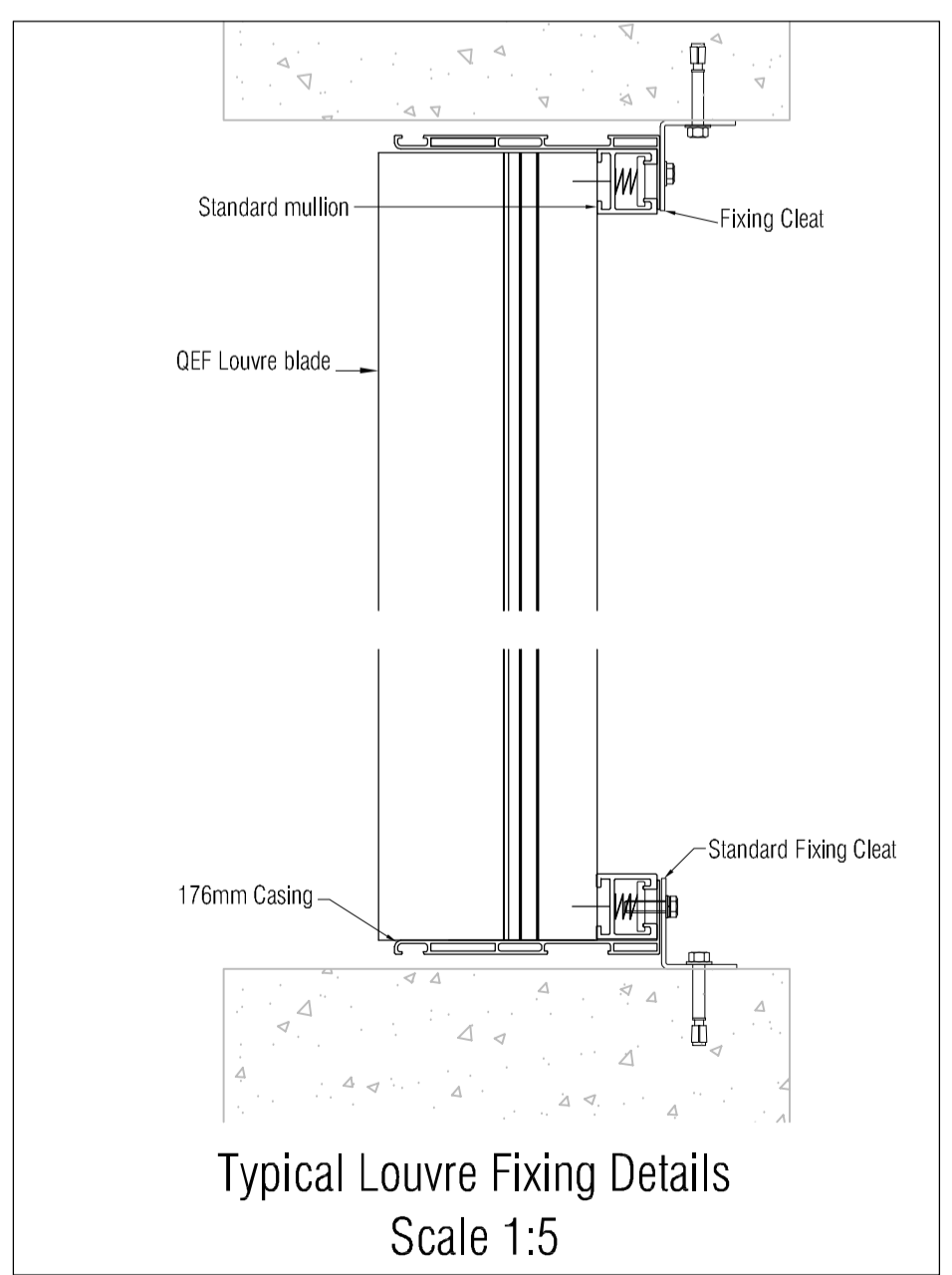


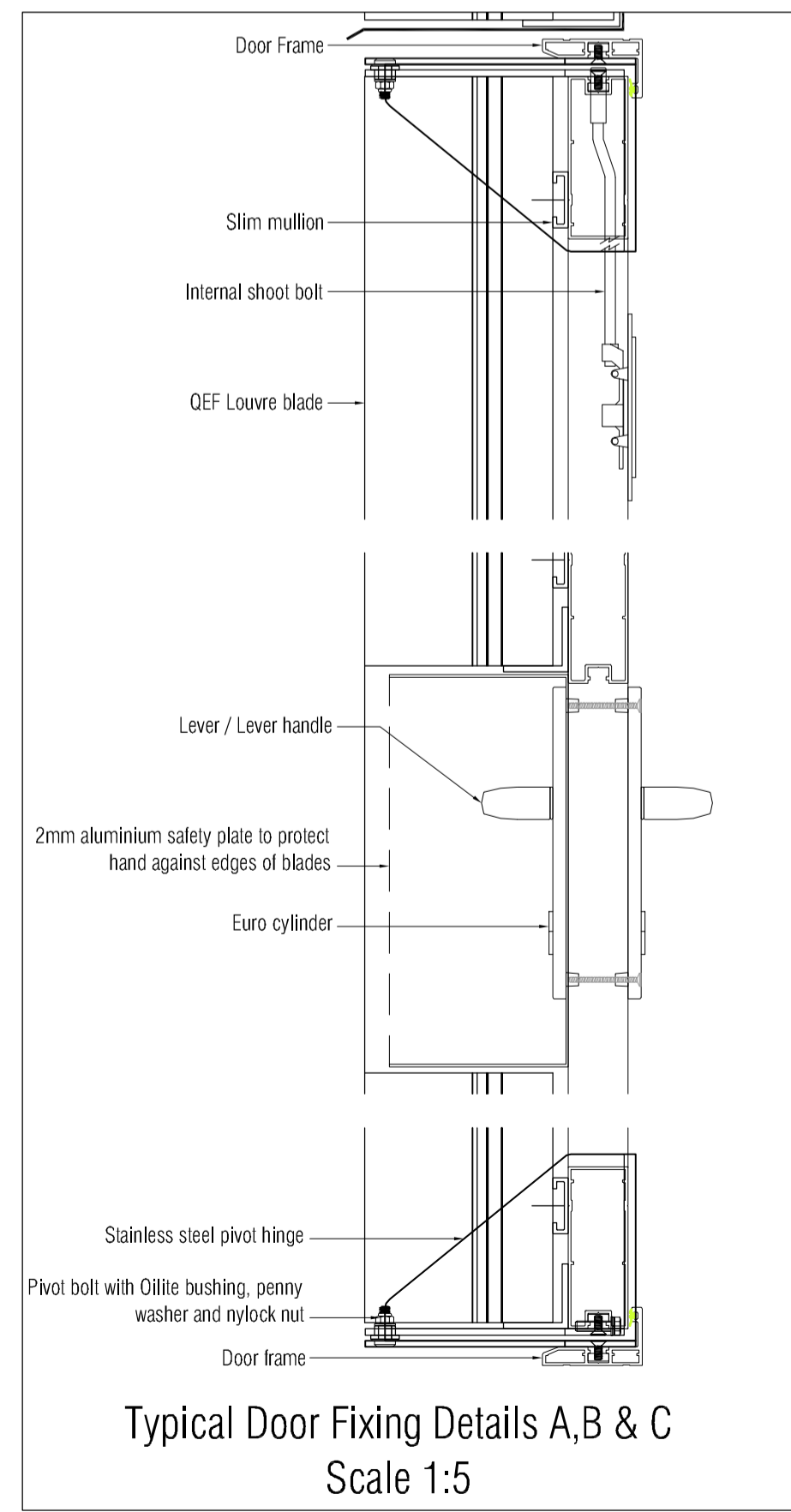
Typical Louvre & Louvre Door Details
Scale 1:20



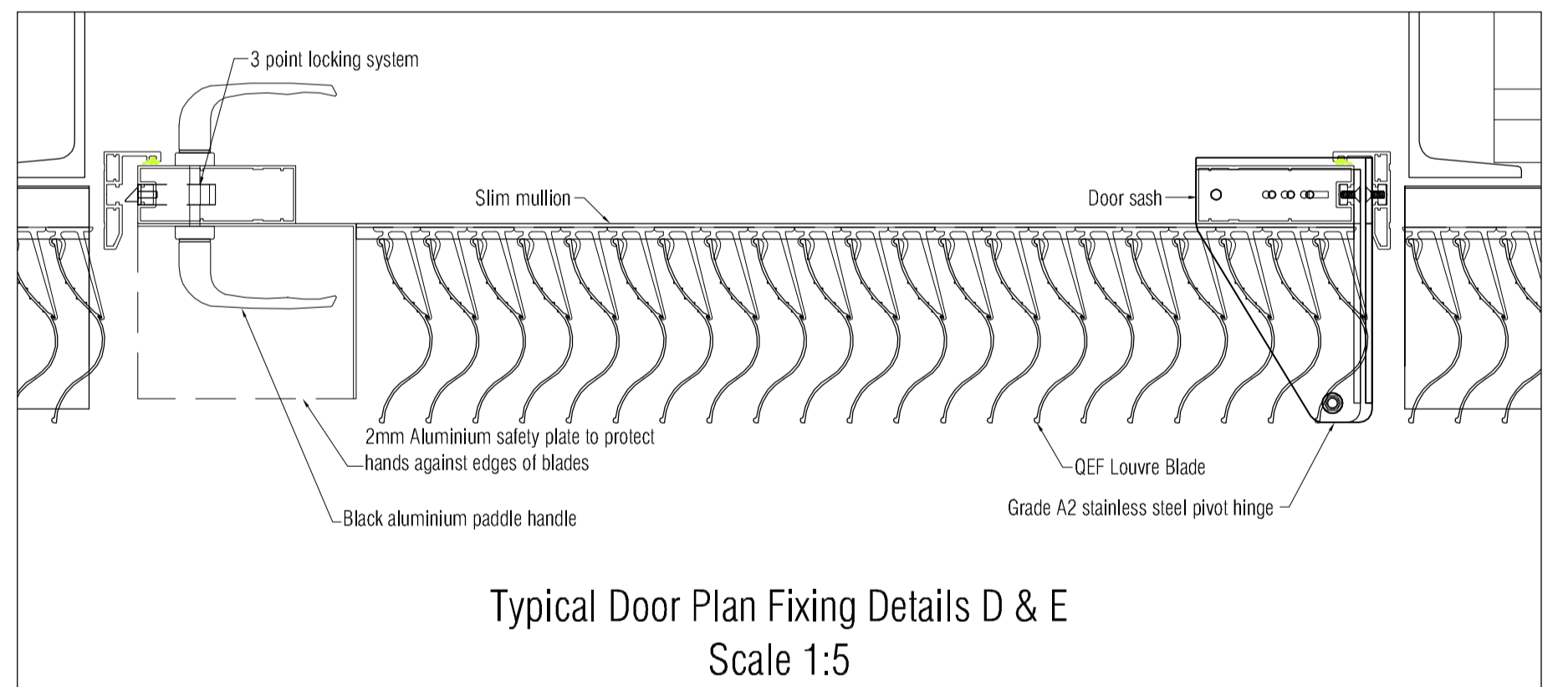
Typical Louvre Door Details
Scale 1:16



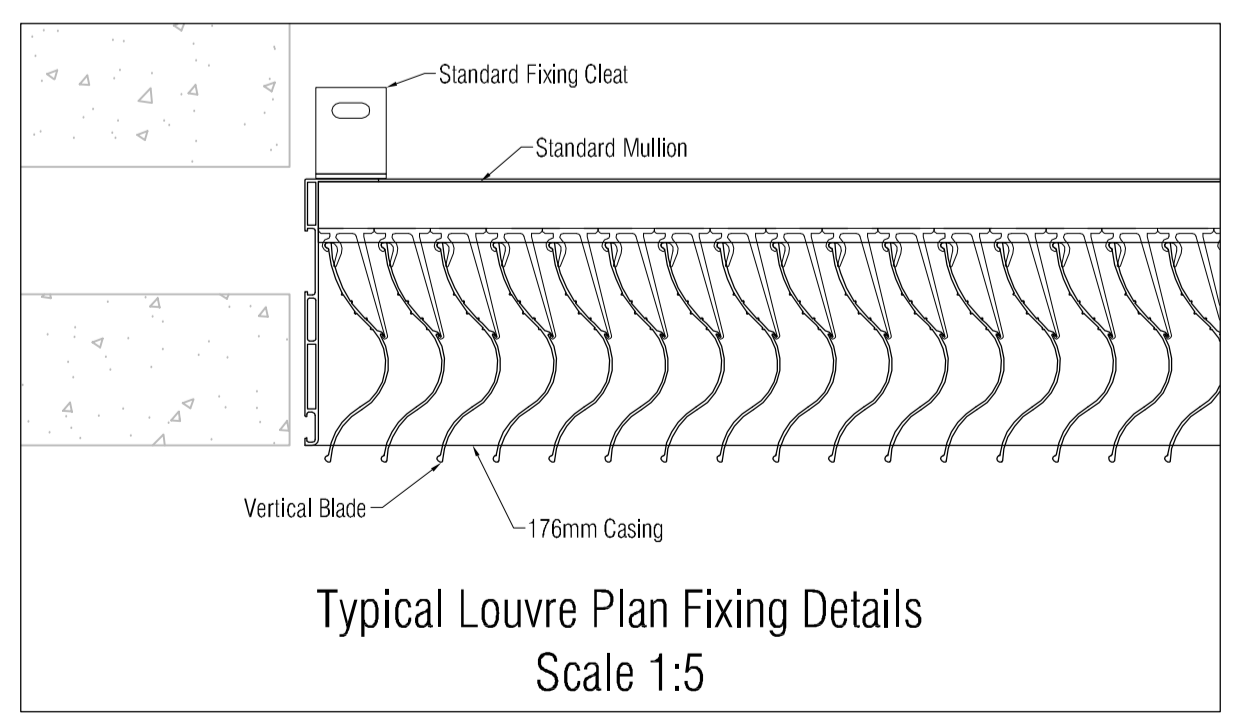
Typical Louvre Fixing Details
Scale 1:5



Typical Door Fixing Details A, B & C
Scale 1:5



Typical Door Plan Fixing Details D & E
Scale 1:5



Typical Louvre Plan Fixing Details
Scale 1:5

- NOTES:
1. QEF VERTICAL STORM LOUVRE BLADE VENT SYSTEM SHOWN
 2. FINISH: STANDARD / SPECIAL RANGE PPC RAL - - - - **TO BE CONFIRMED**
 3. ALL FASTENERS GRADE A2 STAINLESS STEEL
 4. ALL DETAILS AND DIMENSIONS SHOWN ARE SUBJECT TO SITE SURVEY BY QEF
 5. ALL MASTIC SEALS BY MAIN CONTRACTOR
 6. MESH TO LOUVRES **TO BE CONFIRMED**

Commercial Centre
Dublin Road
Kilkenny

Tel: +353 (0)56 776 4910
Fax: +353 (0)56 776 1557
Website: www.qeftd.ie
Email: sales@qeftd.ie

Project: QEF Vertical Storm Louvre Door

Details: Typical Vertical Storm Louvre and Louvre Door Layout and Fixing Details

Drawn: RS	Date: 30/11/15	Scale: 1:20, 1:16, 1:5
Dwg No.:	Rev:	D/Vert A1