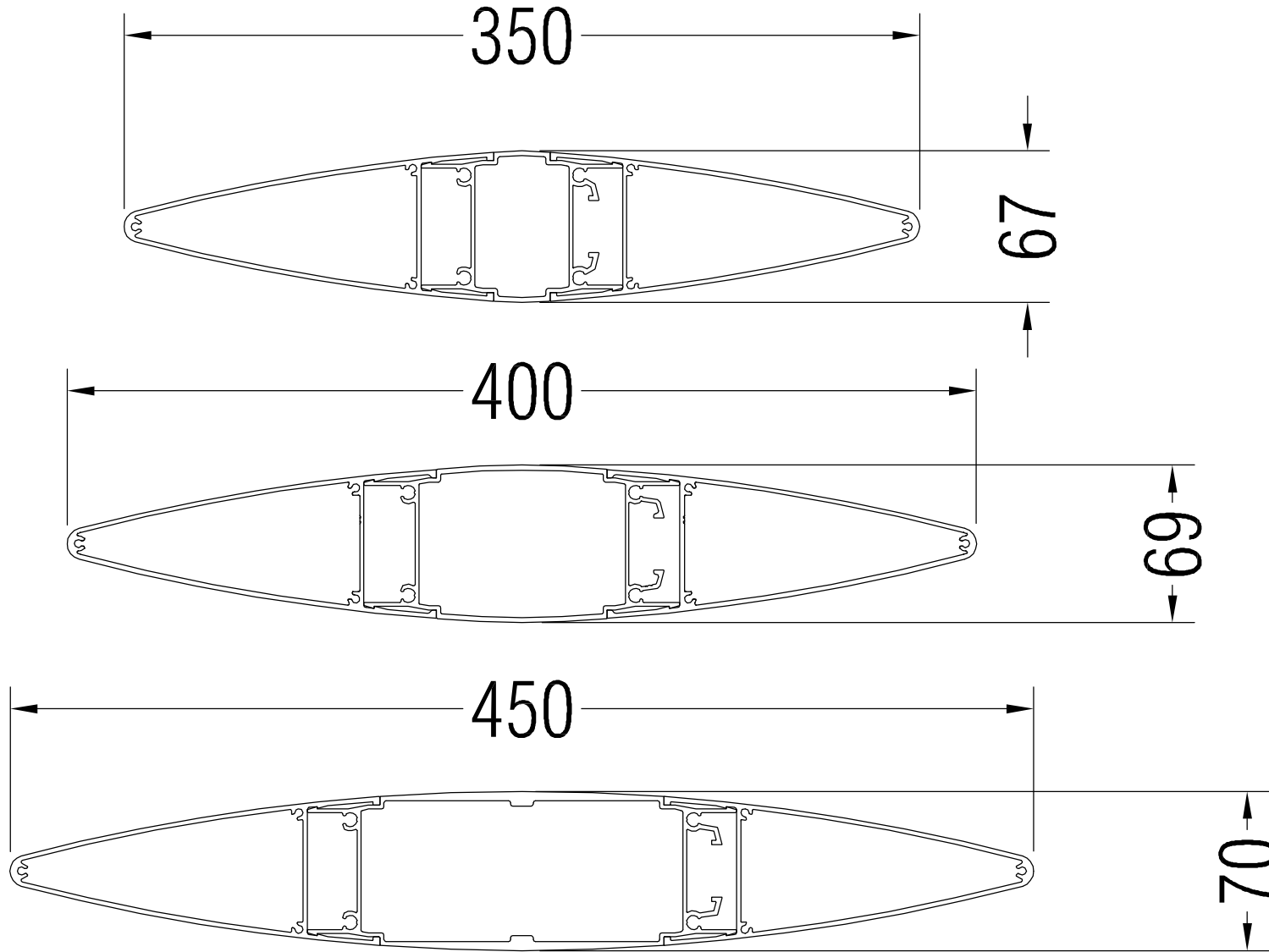


# QEF LARGE COMPOSITE AEROFOIL SUITE



SECTION DETAILS

## Specification

**Manufacturer and reference:** QEF Large Composite Aerofoil Brise Soleil Options supplied and installed by QEF Ltd.  
 Tel: +353 (0)56 776 4910  
 Fax: +353 (0)56 776 1557.

**Description:** Extruded Aluminium Composite Aerofoils, 350mm, 400mm & 450mm wide.

**Blade Pitch & Angle:** To clients specification.

**Material:** System manufactured from extruded aluminium alloy 6063 T6.

**Finish:** Polyester powder coated to RAL or BS colour.

**Dimensions:** As shown on drawings.

**Fixing/ Support System:** To suit design team requirements, Options include; mullion/ bracket support, side arm connection, structural end plates



Commercial Centre  
 Dublin Road  
 Kilkenny

Tel: +353 (0)56 776 4910  
 Fax: +353 (0)56 776 1557  
 Website: www.qefltd.ie  
 Email: sales@qefltd.ie

Drawn:	RAB	Date:	14/04/16	Scale:	NTS
Drawn No:	A350/400/450			Rev:	