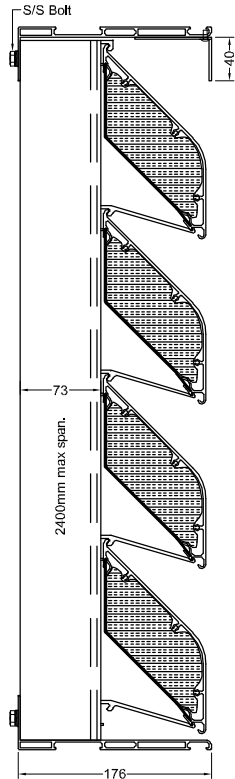
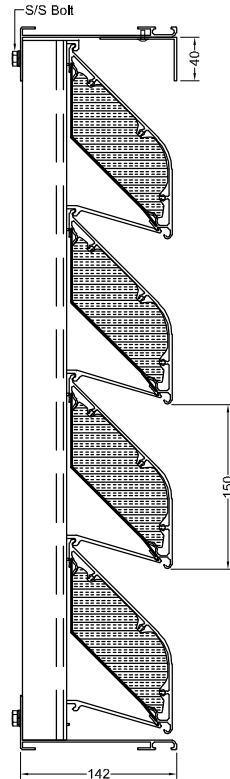


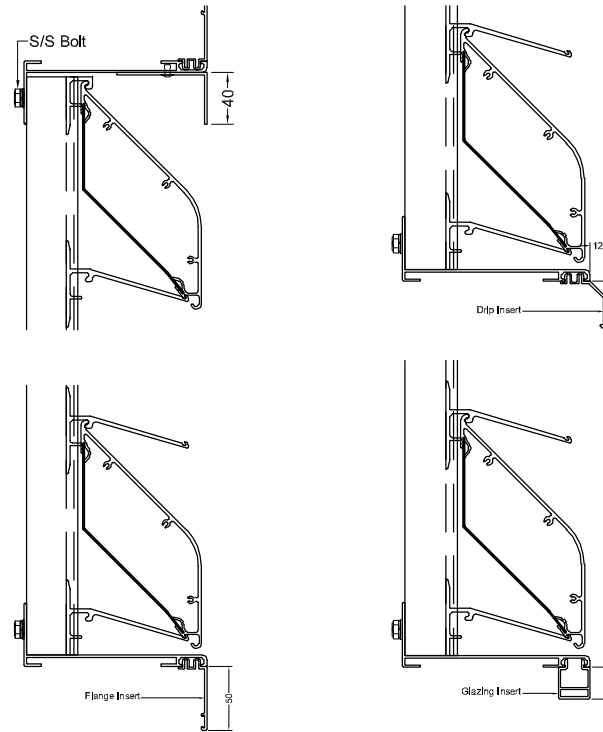
QEF AC100 ACOUSTIC LOUVRE



QEF AC 100 Louvre with Long Span Mullion



QEF AC100 Louvre with Standard Mullion

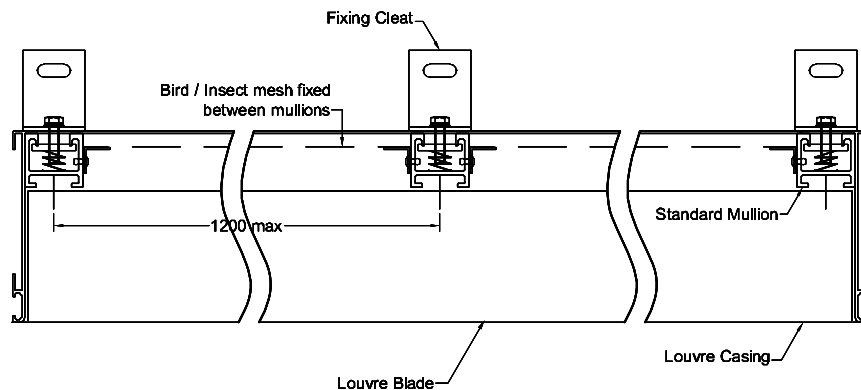


Acoustic Performance to BS EN ISO 10140-2:2010.
SRL Test Report: C/23553/T01

Octave Band Centre Frequency (Hz)	63	125	250	500	1k	2k	4k	8k
Transmission Loss (dB)	9.5	6.3	4.8	4.9	8.9	11.7	9.5	9.9
Acoustic Rating	Rw 9 dB							

Aerodynamic Performance to BS EN ISO 13030:2001.BSRIA Test Report No: 59986

Face Velocity (m/s)	1.0	1.43	1.73	1.99	2.22	2.44	2.62	2.8	2.97	3.13
Pressure Drop (Pa)	19.3	38	54.7	70.5	87.5	104.4	120.2	136.8	152	170.2
Coefficient Ce and Class	0.185 Class 4									



Specification

Manufacture & Reference: QEF AC100 Acoustic Louvre System, supplied and installed by QEF Ltd.
Tel: +353 (0)56 776 4910
Fax: +353 (0)56 776 1557.

Description: Single bank extruded aluminium acoustic louvre with casement surround, mounted on mullions/ clip system fixed to structure with adjustable galvanised steel or S/S cleats.

Blade pitch: 150mm

Material: Manufactured from extruded aluminium alloy 6063 T6.

Acoustic Fill: Polyester Fibre.

Finish: Polyester powder coated to RAL or BS colour, in matt, satin or gloss finishes

Dimensions: All Louvres are bespoke to clients needs

Performance: Acoustic performance as per table. Free area, based on 2500mm High is 27%

Fixing: All structural support by main contractor

Accessories: Bird / insect mesh, blanking / insulated blanking plate to rear. Single / Double doors.

Performance Classification

Limiting Face Velocity	Rating
0m/s Vent	C4
1.0m/s Vent	D4
2.0m/s Vent	D4

Results provided by BSRIA Limited against BSEN 13030



Commercial Centre
Dublin Road
Kilkenny

Tel: +353 (0)56 776 4910
Fax: +353 (0)56 776 1557
Website: www.qefltd.ie
Email: sales@qefltd.ie

Drawn:	Date:	Scale:
TB	25.01.2017	NTS
Drawn No:	Rev:	
AC100/SB/MC		