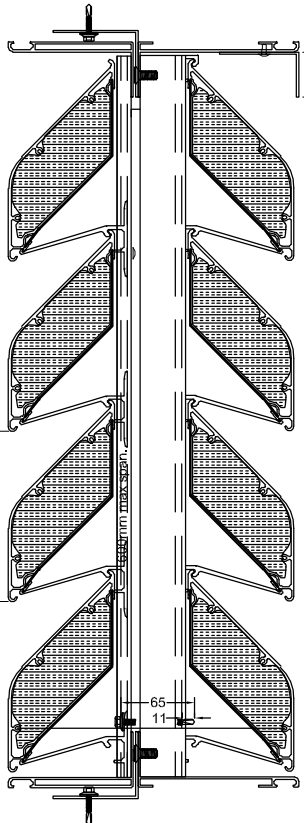
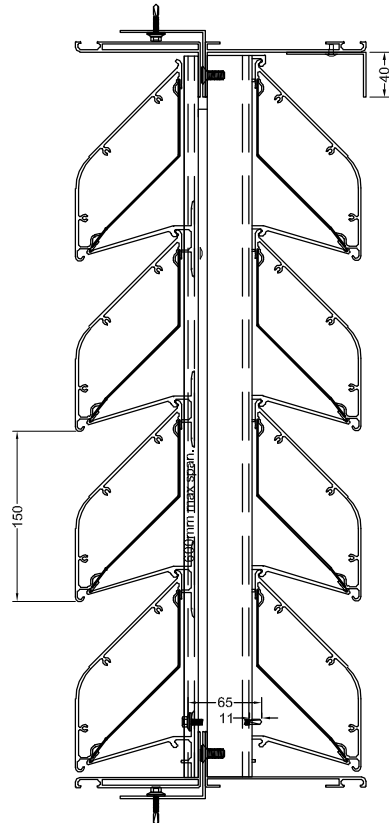


QEF AC100 DOUBLE BANK ACOUSTIC LOUVRE

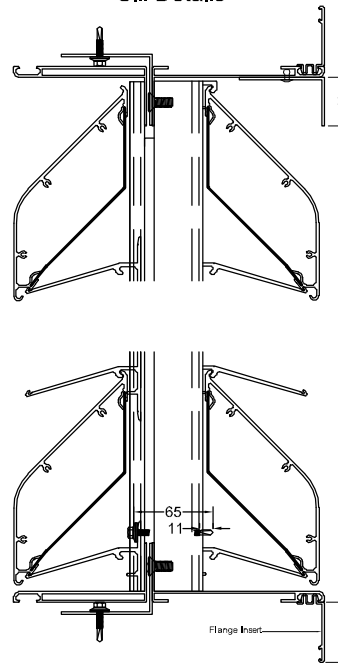


QEF AC100 Double Bank Louvre with Acoustic Fill

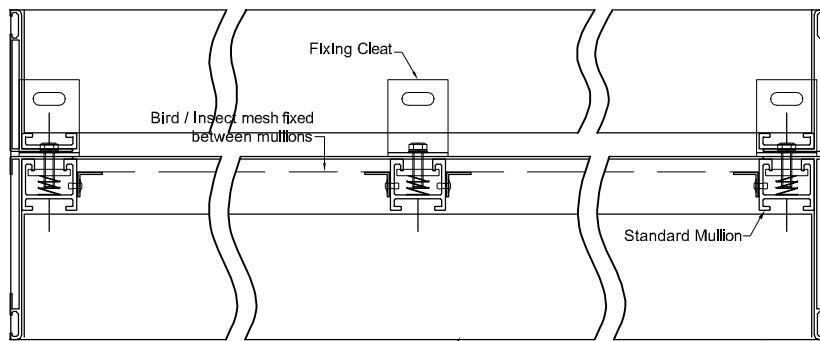
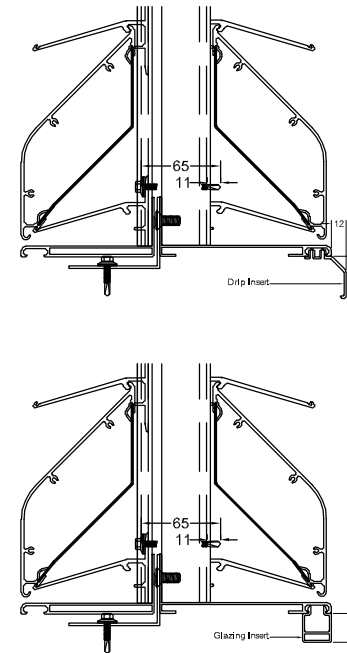


QEF AC100 Double Bank Louvre with Standard Mullion

QEF AC100 Double Bank Head & Cill Details



QEF AC100 Double Bank Casing Insert Details



QEF AC100 Double Bank Plan Detail

Acoustic Performance to BS EN ISO 10140-2:2010. SRL Test Report No: C/23553/T01

Octave Band Centre Frequency (Hz)	63	125	250	500	1k	2k	4k	8k
Transmission Loss (dB)	10.9	6.2	5.6	9.0	18.4	17.6	17.0	20.6
Acoustic Rating	Rw 14 dB							

Aerodynamic Performance to BS EN ISO 13030:2001. BSRIA Test Report No: 59986

Face Velocity (m/s)	0.97	1.32	1.6	1.83	2.05	2.24	2.41	2.57	2.72	2.89
Pressure Drop (Pa)	40.3	72.9	107.1	139.8	175.5	210.2	243.6	278.4	308.6	346.5
Coefficient Ce and Class	0.121 Class 4									

Specification

Manufacture & Reference: QEF AC100 Double Bank Acoustic Louvre System, supplied and installed by QEF Ltd.
Tel: +353 (0)56 776 4910
Fax: +353 (0)56 776 1557.

Description: Double bank extruded aluminium acoustic louvre with casement surround, mounted on mullions/ clip system fixed to structure with adjustable galvanised steel or S/S cleats.

Blade pitch: 150mm

Material: Manufactured from extruded aluminium alloy 6063 T6.

Acoustic Fill: Polyester Fibre.

Finish: Polyester powder coated to RAL or BS colour, in matt, satin or gloss finishes

Dimensions: All Louvres are bespoke to clients needs

Performance: Acoustic performance as per table.

Fixing: All structural support by main contractor

Accessories: Bird / insect mesh, blanking / insulated blanking plate to rear. Single / Double doors.

Performance Classification

Limiting Face Velocity	Rating
0m/s Vent	B4
1.0m/s Vent	C4
2.0m/s Vent	D4

Results provided by BSRIA Limited against BSEN 13030



Commercial Centre
Dublin Road
Kilkenny
Tel: +353 (0)56 776 4910
Fax: +353 (0)56 776 1557
Website: www.qef.co.uk
Email: sales@qef.co.uk

Drawn:	Date:	Scale:
TB	09.02.2017	NTS
Drawn No.:	Rev:	
AC100 DB/MC		