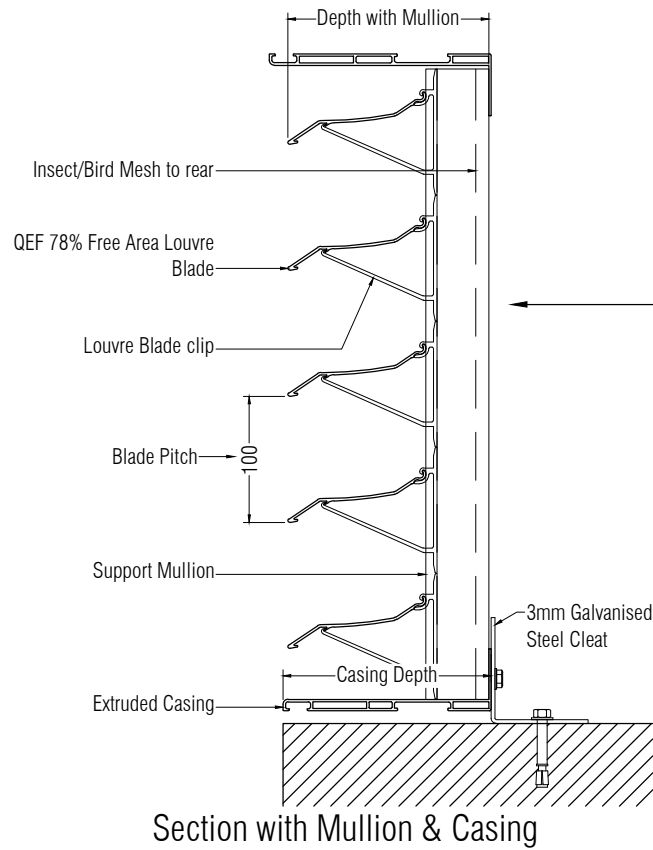
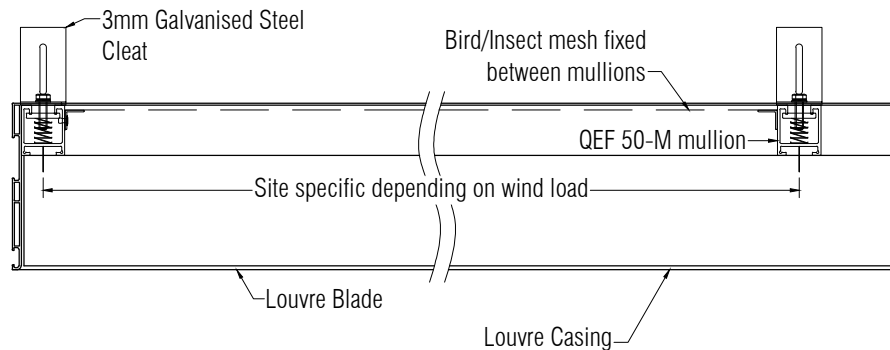


# QEF 78% Free Area louvre Data Sheet



Section with Mullion & Casing

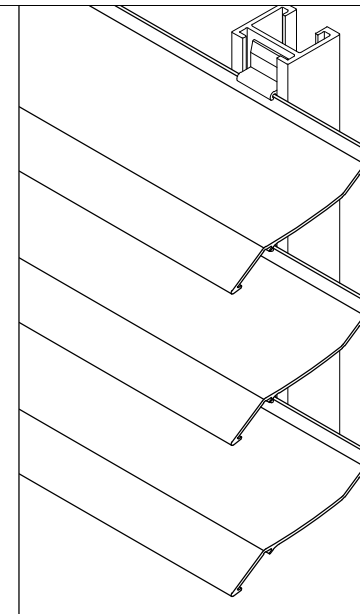


Plan Detail

## Depth Table for Louvres

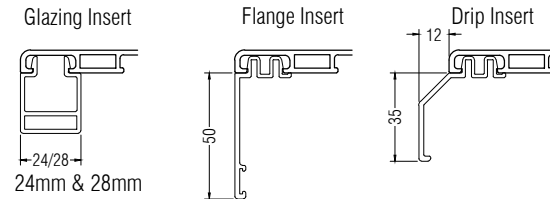
| 78% Louvre Depth |                    |              |
|------------------|--------------------|--------------|
| Mullion Options  | Depth with Mullion | Casing Depth |
| 12-M             | 121mm              | 130mm        |
| 40-M             | 149mm              | 155mm        |
| 50-M             | 159mm              | 165mm        |
| 73-M             | 182mm              | 176mm        |

50-M used as standard and shown in section. Contact QEF to discuss site specific mullion & blade spans.



Isometric Detail

## Casing Insert Options



## Specification

**Manufacture & Reference:** QEF 78% Free Area Louvre System, supplied and installed by QEF Ltd.  
 Tel: +353 (0)56 776 4910  
 Email: sales@qeftd.ie

**Description:** High 78% Free Area ventilation Louvre with casement surround, mounted on mullions fixed to structure with adjustable galvanised steel cleats.

**Blade pitch:** 100mm.

**Material:** Manufactured from extruded aluminium alloy 6063 T6.

**Finish:** Polyester powder coated to RAL or BS colour, in matt, satin or gloss finishes

**Dimensions:** All Louvres are bespoke to clients needs

**Performance:** This Louvre is not a weather Louvre and water ingress will occur.

**Free Area:** Nominal free area of louvre is 84%.

**Fixing:** Mullion spacing and fixing centres to rear steel (by others) subject to site wind loads and independent engineering.

**Accessories:** Bird / insect mesh, blanking / insulated blanking plate to rear.



Commercial Centre, Dublin Road, Kilkenny, R95 TR82, Ireland  
 Tel: +353 (0)56 776 4910  
 Website: www.qeftd.ie  
 Email: sales@qeftd.ie

|                     |                  |            |
|---------------------|------------------|------------|
| Drawn: RAB          | Date: 19/02/2019 | Scale: NTS |
| Dwg.No: L/78/S/H/OP | Rev: C           |            |