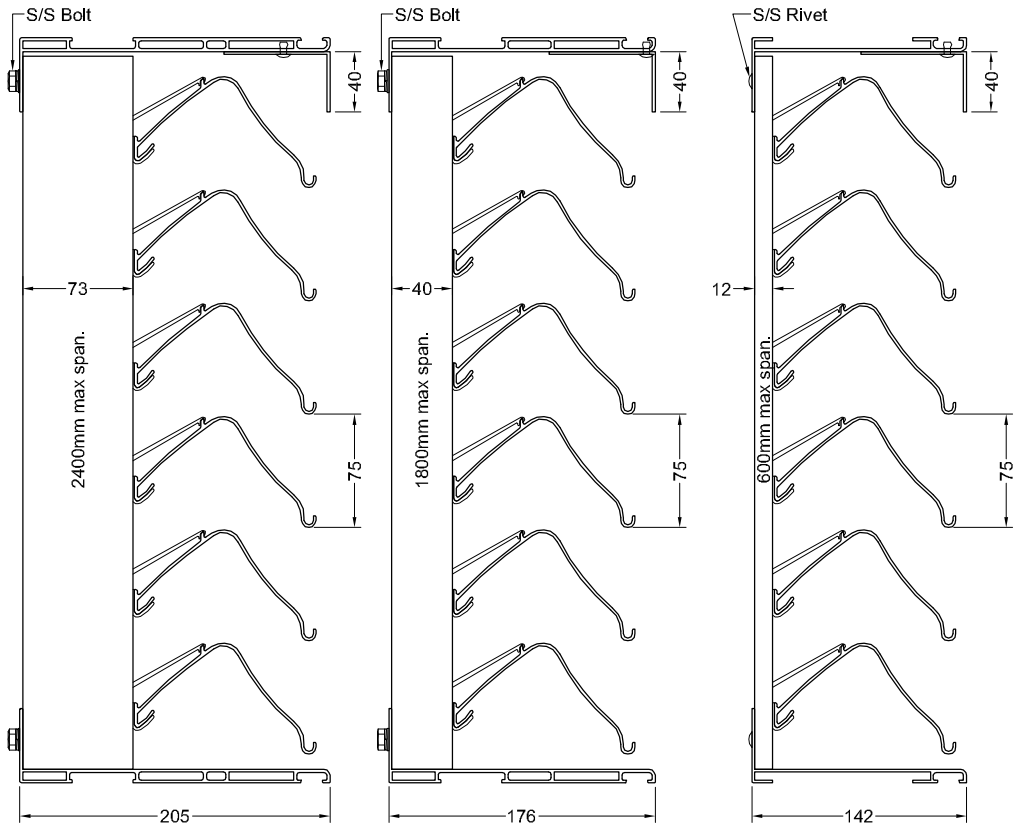


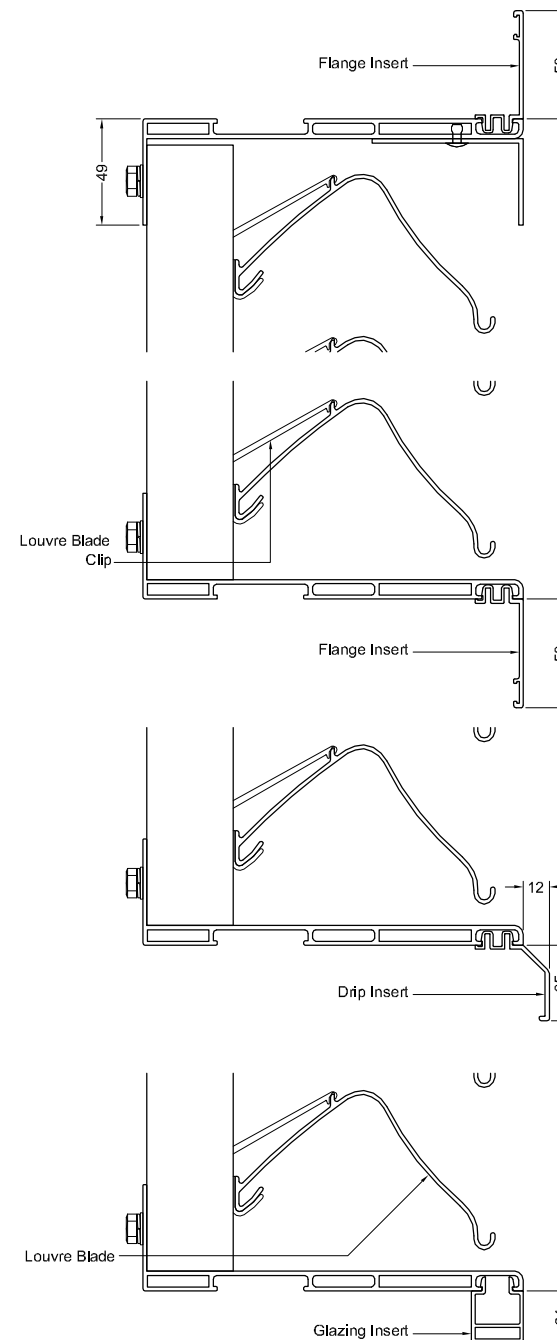
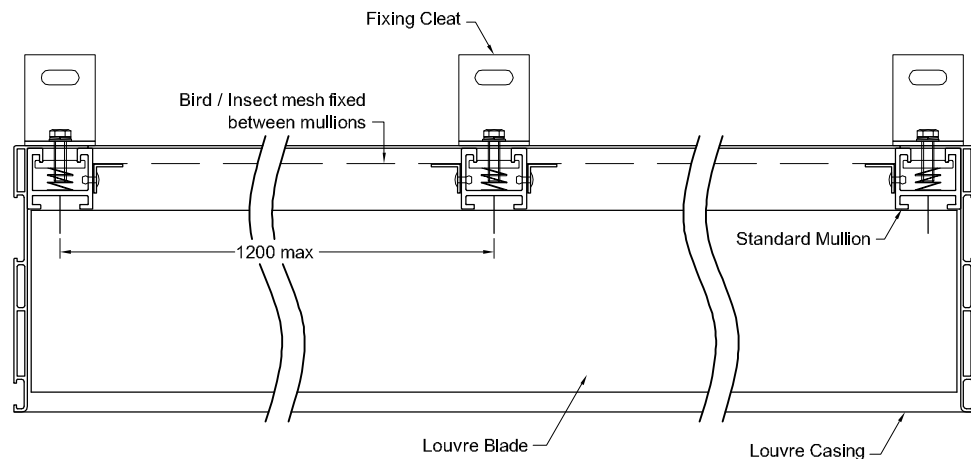
QEF 75 HIGH PERFORMANCE BLADE



QEF High Performance Louvre with Long Span Mullion

QEF High Performance Louvre with Standard Mullion

QEF High Performance Louvre with Slim Mullion



Specification

Manufacture & Reference: QEF High Performance Louvre System, supplied and installed by QEF Ltd.

Tel: +353 (0)56 776 4910

Fax: +353 (0)56 776 1557 .

Description: High Performance (non-vision) ventilation Louvre with casement surround, mounted on mullions fixed to structure with adjustable galvanised steel cleats.

Blade pitch: 75mm.

Material: Manufactured from extruded aluminium alloy 6063 T6.

Finish: Polyester powder coated to RAL or BS colour, in matt, satin or gloss finishes

Dimensions: All Louvres are bespoke to clients needs

Performance: Louvre have an inlet cd of 0.24. Free area, based on 1000mm High is 50%

Fixing: All structural support by main contractor

Accessories: Bird / insect mesh, blanking / insulated blanking plate to rear. Single / Double doors.

Performance Classification

Limiting Face Velocity	Rating
0m/s Vent	A2
1m/s Vent	B2
2m/s Vent	B2

Results provided by BSRIA Limited against BSEN 13030



Commercial Centre
Dublin Road
Kilkenny

Tel: +353 (0)56 776 4910
Fax: +353 (0)56 776 1557
Website: www.qefltd.ie
Email: sales@qefltd.ie

Drawn: RAB	Date: 14/04/16	Scale: NTS
Drawn: L75HP/DB/H	Rev: B	