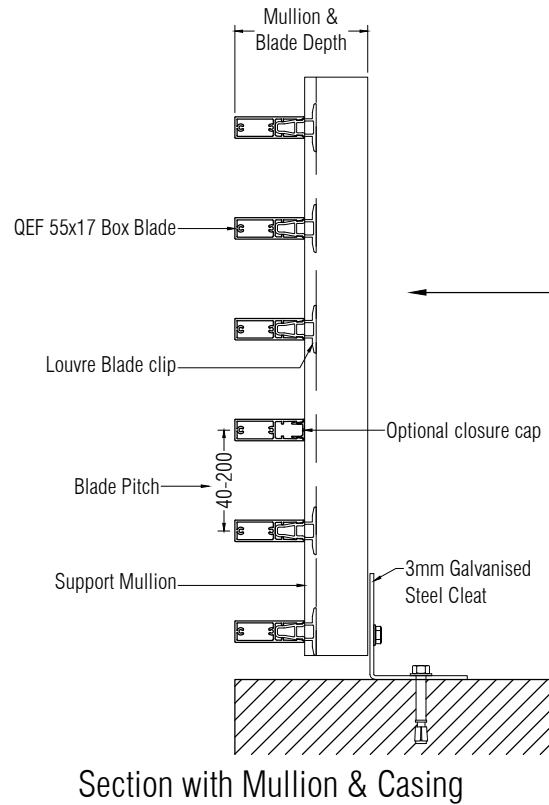
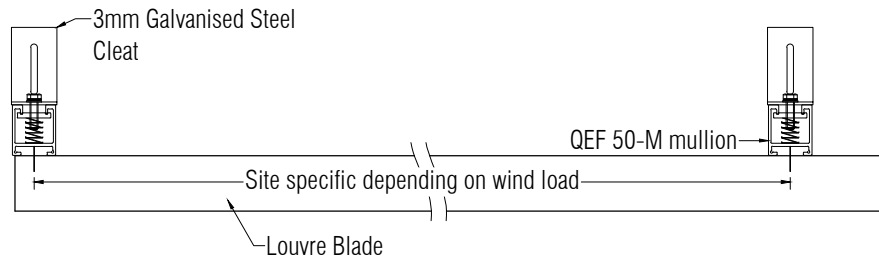


QEF 55 x 17 Box Blade Data Sheet



Section with Mullion & Casing

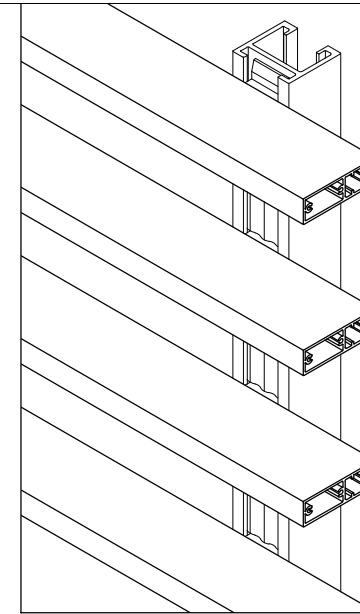


Plan Detail

Depth Table for Louvres

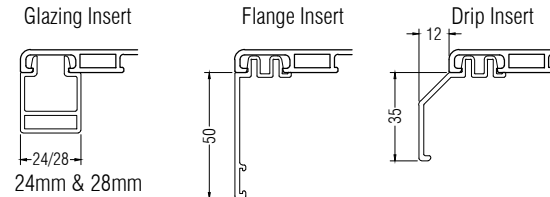
55x17 Box Louvre Depth		
Mullion Type	Depth with Mullion	Casing Depth
12-M	67mm	68mm
40-M	95mm	100mm
50-M	105mm	100mm
73-M	128mm	130mm

50-M used as standard and shown in section. Contact QEF to discuss site specific mullion & blade spans.



Isometric Detail

Casing Insert Options where Casings are requested



Specification

Manufacture & Reference: QEF 55x17 Rectangular Box Blade System, supplied and installed by QEF Ltd.
Tel: +353 (0)56 776 4910
Email: sales@qeftd.ie

Description: 55x17 extruded box profile mounted on mullions fixed to structure with adjustable cleats.

Blade pitch: To suit project design, from 38mm.

Material: Manufactured from extruded aluminium alloy 6063 T6.

Finish: Polyester powder coated to RAL or BS colour, in matt, satin or gloss finishes

Dimensions: All Louvres are bespoke to clients needs

Fixing: Mullion spacing and fixing centres to rear steel (by others) subject to site wind loads and independent engineering.

Accessories: Rear closure cap, stopends, perimeter casing, bird mesh, blanking / insulated blanking plate to rear. Single / Double doors.



Commercial Centre, Dublin Road, Kilkenny, R95 TR82, Ireland
Tel: +353 (0)56 776 4910
Website: www.qeftd.ie
Email: sales@qeftd.ie

Drawn: RAB	Date: 25/01/2019	Scale: NTS
Dwg.No: L/55.17/S/H	Rev: A	