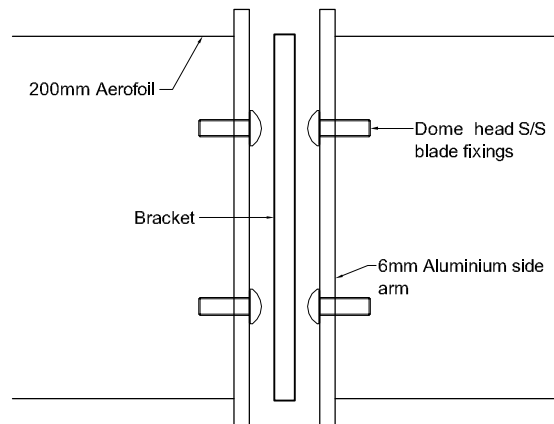
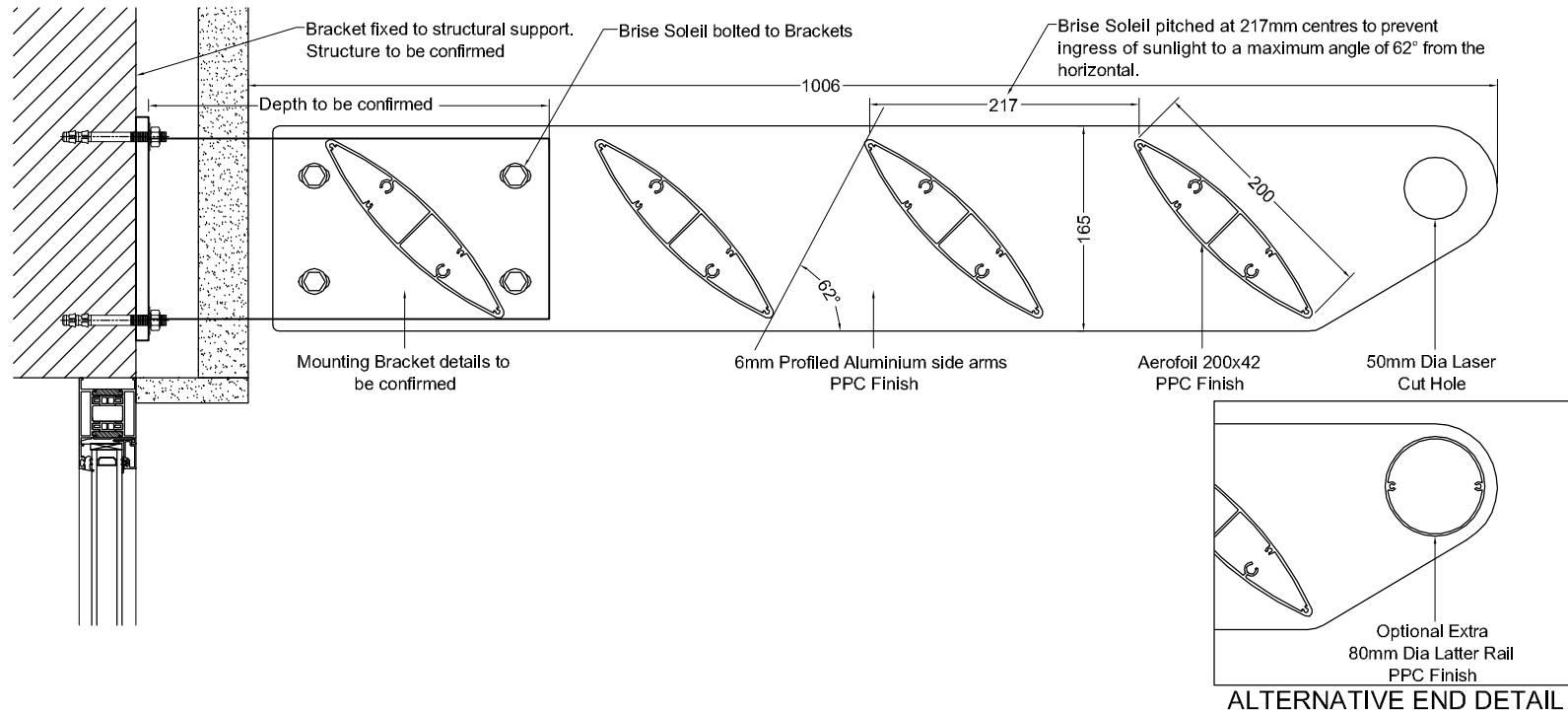
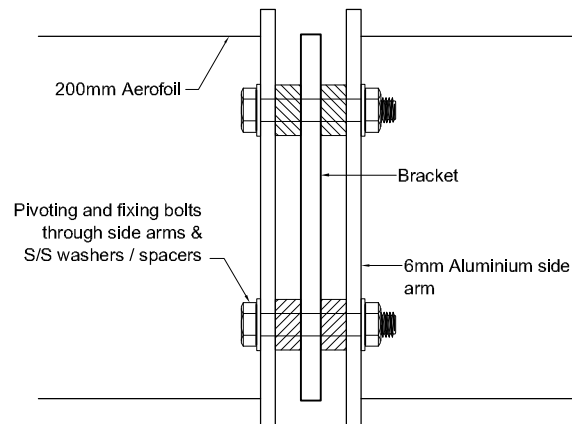


QEF 200 AEROFOIL BRISE SOLEIL

AEROFOIL BLADE PITCHED AT 217mm CENTRES
TO PREVENT INGRESS OF SUNLIGHT TO A
MAXIMUM ANGLE OF 62° FROM THE HORIZONTAL



END SECTION THROUGH MODULE JOINT
SHOWING BUTTON HEAD AEROFOIL FIXINGS



END SECTION THROUGH MODULE JOINT
SHOWING BOLTS

Specification

Manufacturer and reference: QEF 200 Aerofoil Brise Soleil system supplied and installed by QEF Ltd.
Tel: +353 (0)56 776 4910
Fax: +353 (0)56 776 1557.

Description: Extruded Aluminium Aerofoil, 200mm wide fixed between 165mm deep side plates.

Blade Pitch: 217mm @ 45° angle.

Material: System manufactured from extruded aluminium alloy 6063 T6.

Finish: Polyester powder coated to RAL or BS colour.

Dimensions: As shown on drawings. Max span between support arms dependant upon loading requirements. Bespoke side support arm profiles and blade orientation can be contract specific - customer must specify requirement.

Performance: Direct sunlight to be eliminated through the Brise Soleil up to 62°.

Fixing: To subcontractors details. A wide range of stainless, galvanised steel or aluminium fixing brackets, including steel, block & curtain walling.



Commercial Centre
Dublin Road
Kilkenny

Tel: +353 (0)56 776 4910
Fax: +353 (0)56 776 1557
Website: www.qefltd.ie
Email: sales@qefltd.ie

Drawn:	Date:	Scale:
RAB	14/04/16	NTS
Drawn:	Rev:	
A200/C	A	