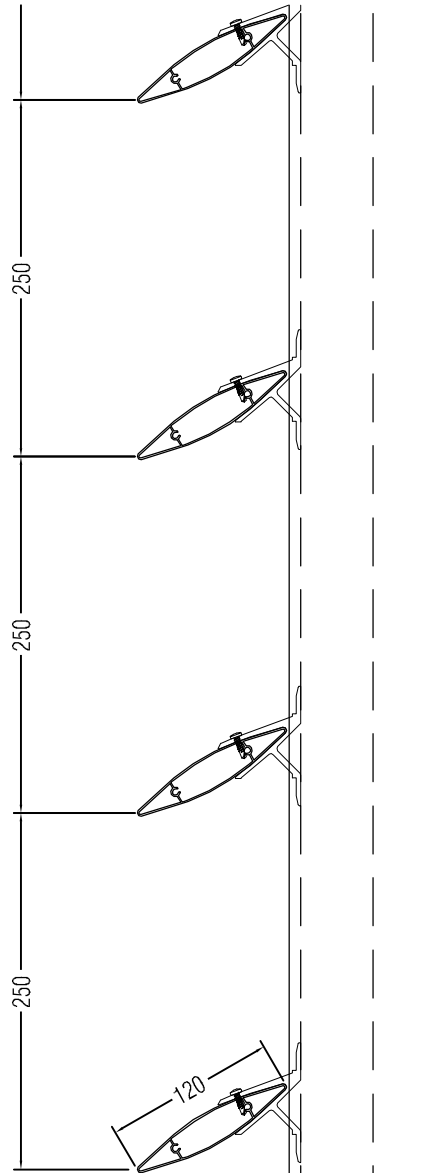
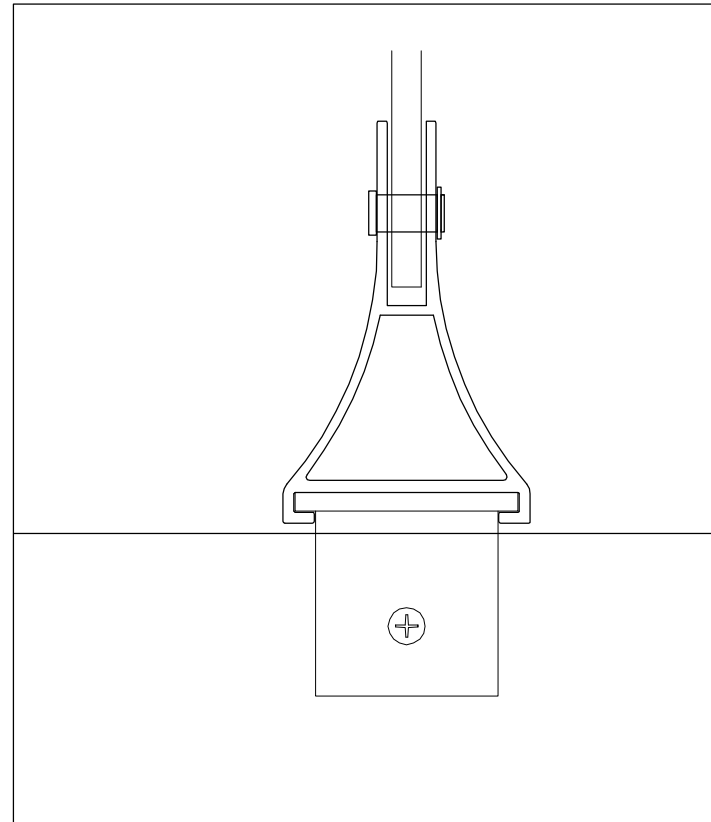


# QEF 120 AEROFOIL VERTICAL M/C BRISE SOLEIL @ 32Deg

AEROFOIL BLADE PITCHED AT 250mm CENTRES  
TO PREVENT INGRESS OF SUNLIGHT TO A  
MAXIMUM ANGLE OF 62° FROM THE HORIZONTAL



Section detail through 200 Aerofoil clip detail



Plan View Mullion / Clip

## Specification

**Manufacturer and reference:** QEF 120 Aerofoil Vertical Mullion/ Clip Brise Soleil system is supplied and installed by QEF Ltd.  
Tel: +353 (0)56 776 4910  
Fax: +353 (0)56 776 1557.

**Description:** Extruded Aluminium Aerofoil, 120mm wide mounted on vertical mullion clip system  
**Blade Pitch:** 250mm @ 32° angle.

**Material:** System manufactured from extruded aluminium alloy 6063 T6.

**Finish:** Polyester powder coated to RAL or BS colour.

**Dimensions:** As shown on drawings. Max span between mullions dependant upon loading requirements. Blade orientation and pitch to be contract specific - customer must specify requirement.

**Performance:** Direct sunlight to be eliminated through the Brise Soleil up to 62°.

**Fixing:** To subcontractors details. A wide range of stainless, galvanised steel or aluminium fixing brackets is available for different fixing grounds, including steel, block & curtain walling.



Commercial Centre  
Dublin Road  
Kilkenny

Tel: +353 (0)56 776 4910  
Fax: +353 (0)56 776 1557  
Website: www.qefltd.ie  
Email: sales@qefltd.ie

Drawn:	TB	Date:	14/04/16	Scale:	NTS
Drawn/No:	A120/V/MC/32Deg	Rev:			A