

QEF 75 Curved Blade Door Data Sheet

Specification

Manufacture & Reference: QEF 75C Louvre System, supplied and installed by QEF Ltd.
 Tel: +353 (0)56 776 4910
 Fax: +353 (0)56 776 1557 .

Description: 75mm Curved ventilation Louvre door with extruded aluminium frame and sash, blades mounted on mullions & fixed to door sash. Door heights and widths are fully flexible to within loading capabilities.

Blade pitch: 75mm.

Material: Manufactured from extruded aluminium alloy 6063 T6.

Ironmongery: All door are fitted with QEF bespoke stainless steel hinges as drawn, Mila 3 point lock, Mila 40x40 euro cylinder, Mila aluminium pro linear lever handle and Mila shoot bolts (double doors only) as standard. Optional extra's include door closer(s) and panic bar(s). Note: Panic bar access handles do not match Mila pro linear handles.

Finish: Polyester powder coated to RAL or BS colour, in matt, satin or gloss finishes.

Dimensions: All Louvre doors are bespoke to clients needs. Max ope size 2.5m High X 2.2m Wide.

Performance: See QEF 75 Curved Blade louvre Data Sheet.

Fixing: Where necessary, door sets will require secondary support steelwork comprising of horizontal rails & vertical jamb posts. By Main Contractor.

Accessories: Bird / insect mesh, blanking / insulated blanking plate to rear.

Performance Classification

Limiting Face Velocity	Rating
0.0m/s Vent	B2
1.0m/s Vent	C2
1.5m/s Vent	C2

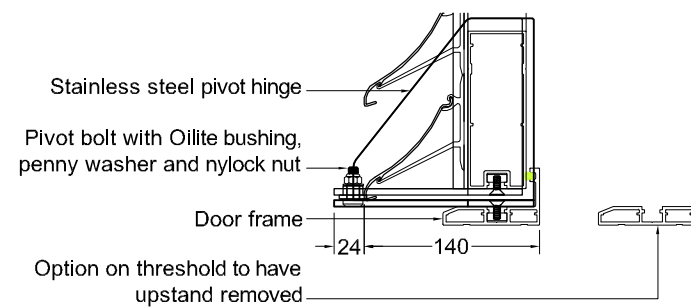
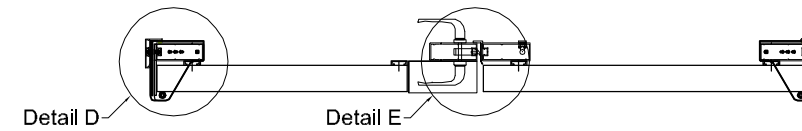
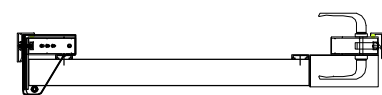
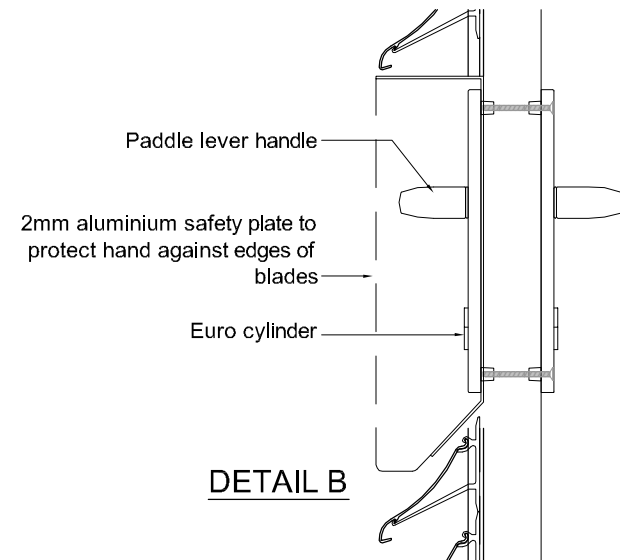
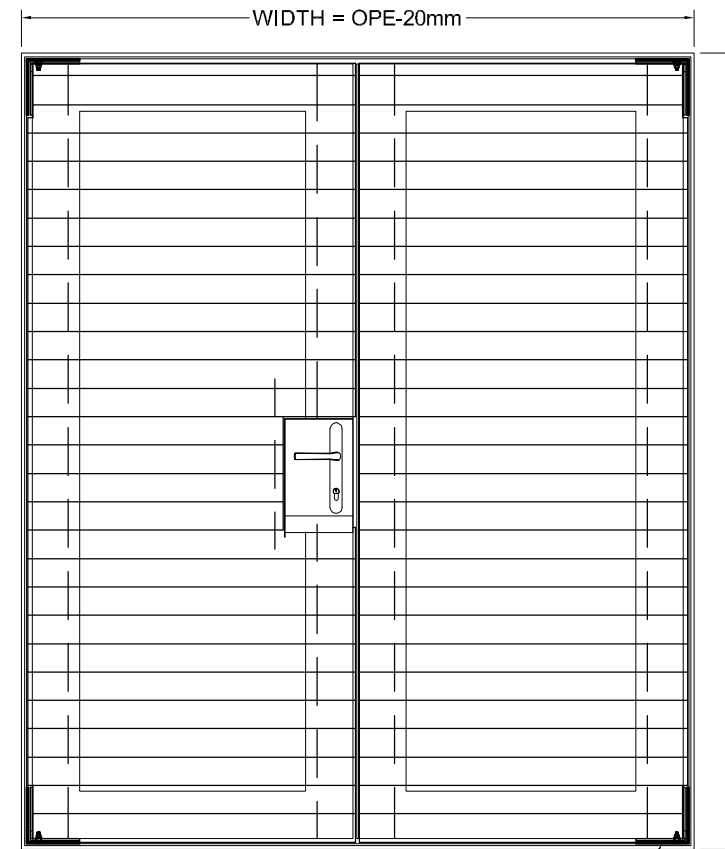
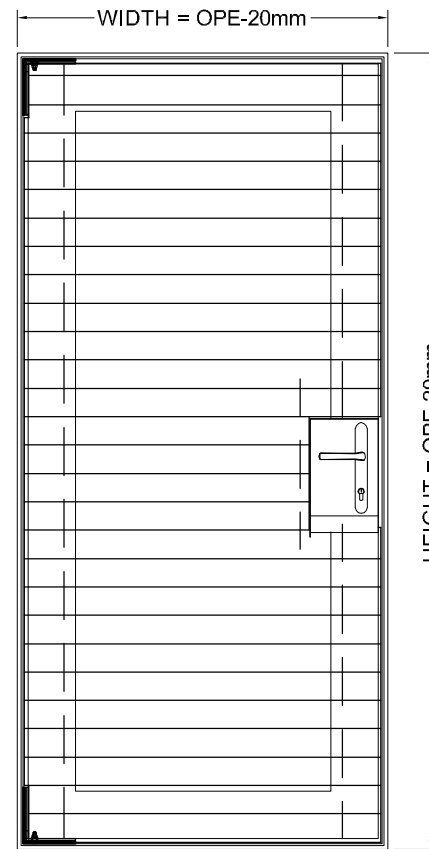
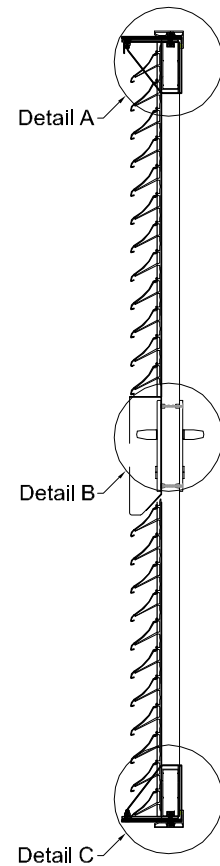
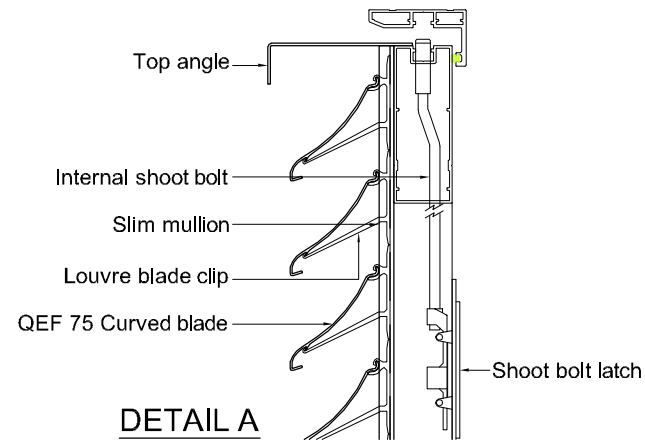
Results provided by BSRIA Limited against BSEN 13030



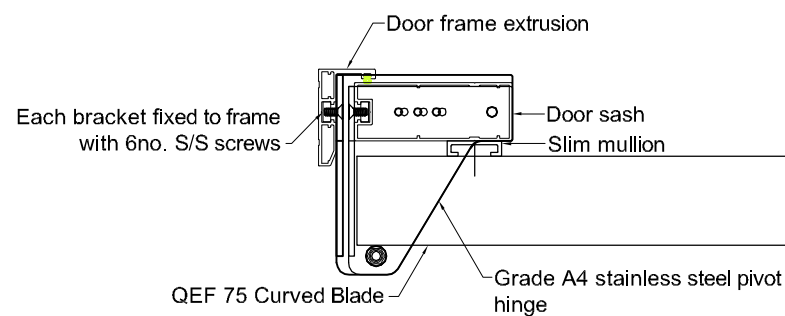
Commercial Centre
 Dublin Road
 Kilkenny

Tel: +353 (0)56 776 4910
 Fax: +353 (0)56 776 1557
 Website: www.qefltd.ie
 Email: sales@qefltd.ie

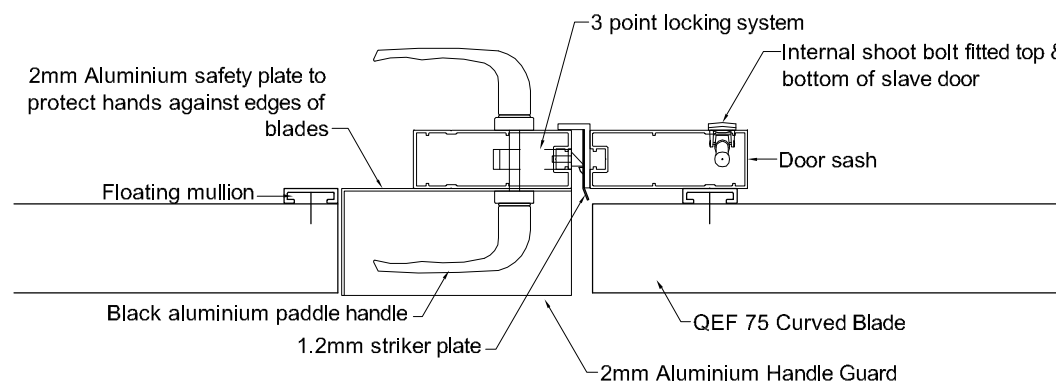
Drawn: RAB	Date: 14/04/16	Scale: NTS
Drg.No: D/75C	Rev: A	



DETAIL C



DETAIL D



DETAIL E