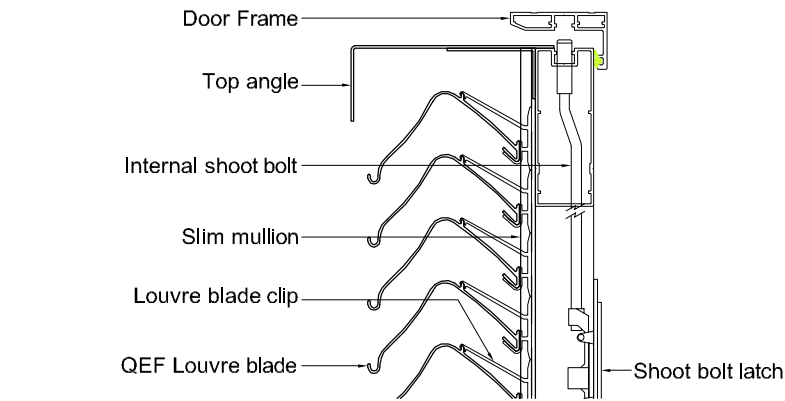
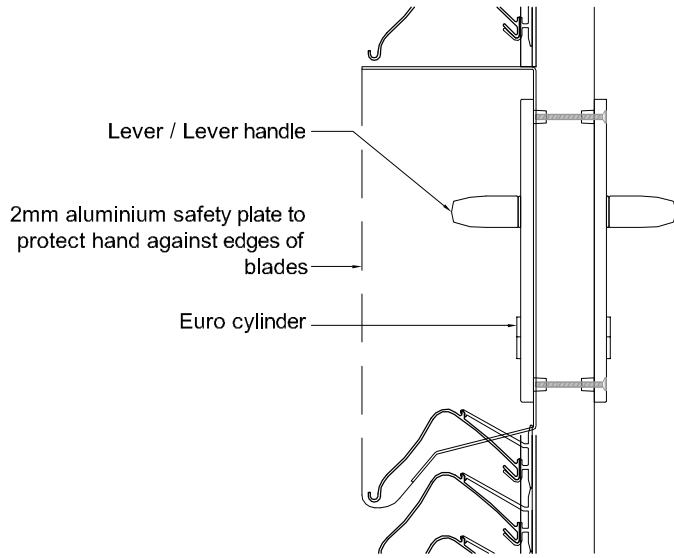


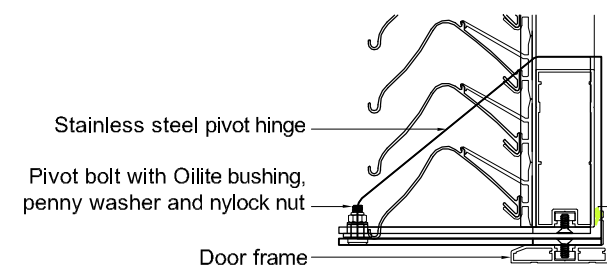
QEF 50 High Performance Door Data Sheet



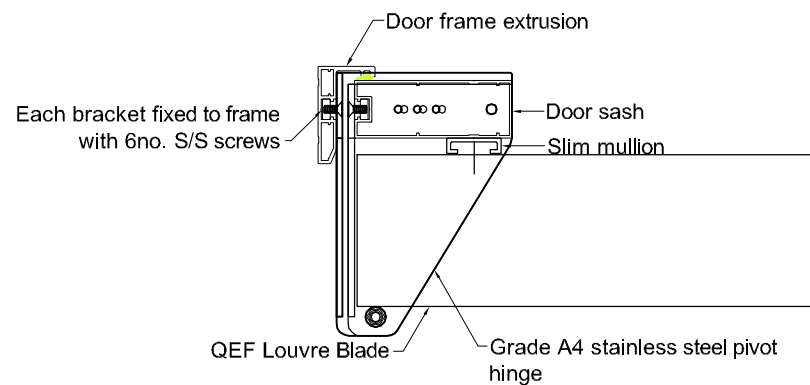
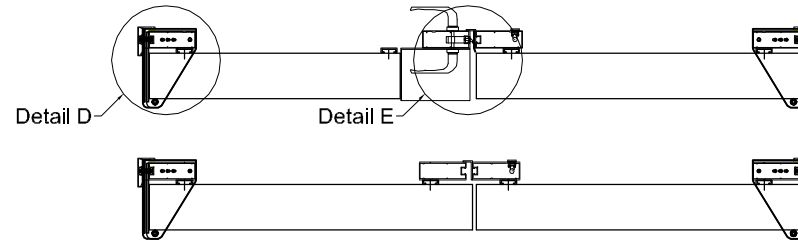
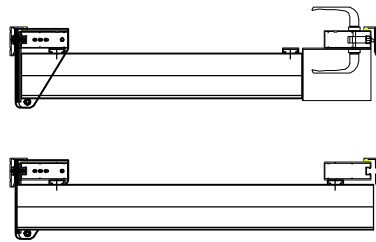
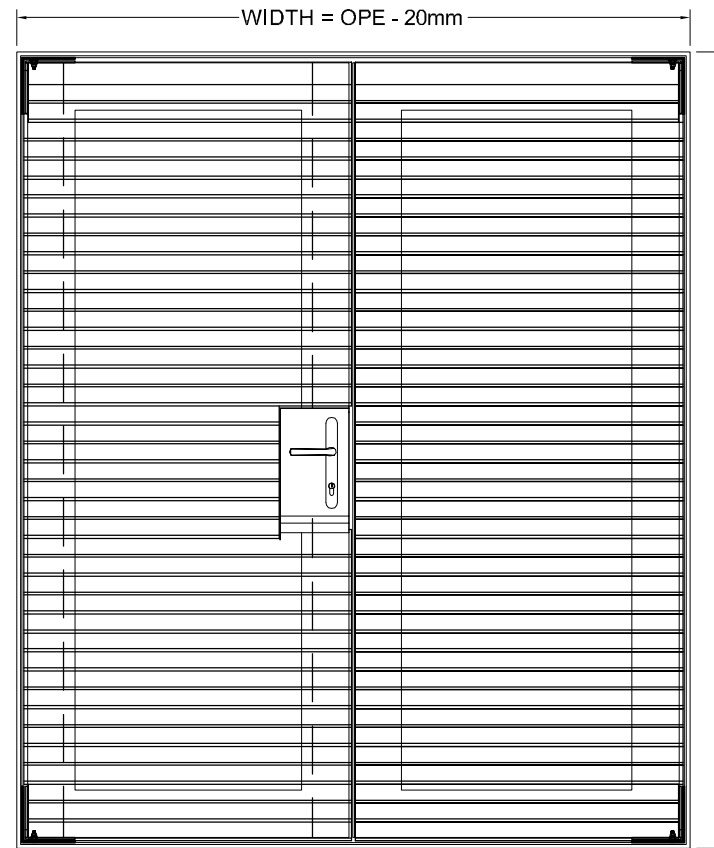
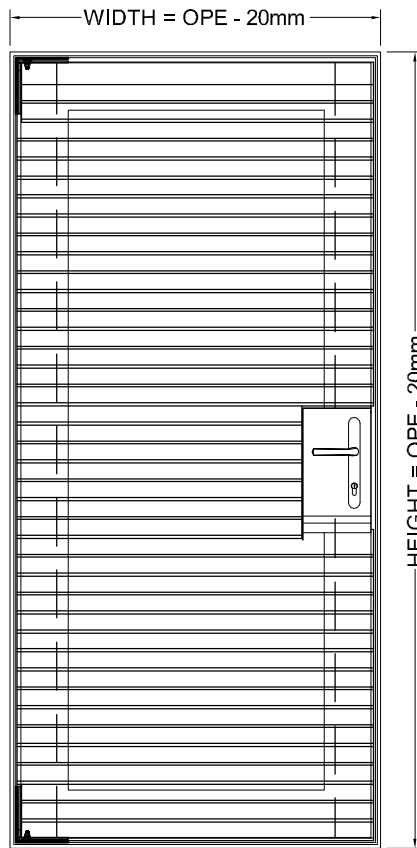
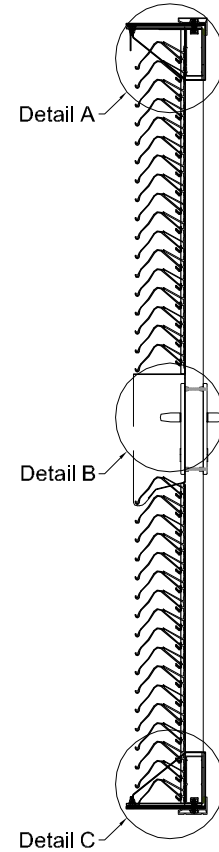
DETAIL A



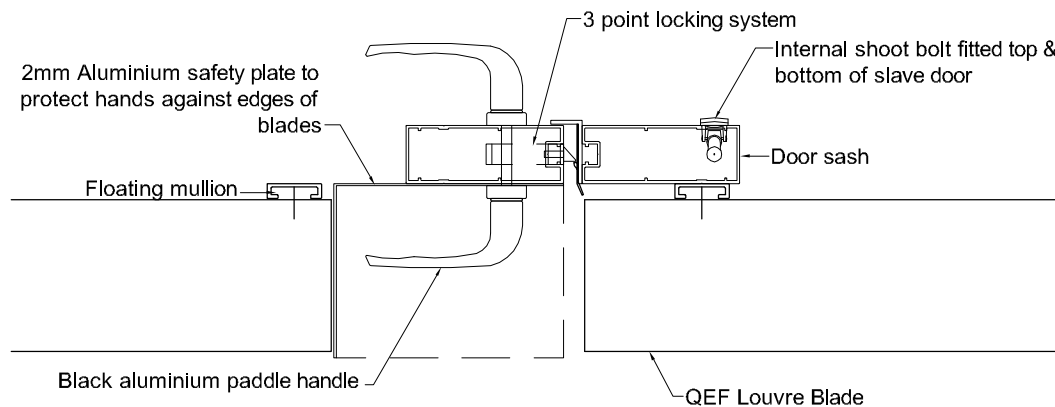
DETAIL B



DETAIL C



DETAIL D



DETAIL E

Specification

Manufacture & Reference: QEF 50 High Performance Louvre System, supplied and installed by QEF Ltd.
Tel: +353 (0)56 776 4910
Fax: +353 (0)56 776 1557.

Description: 50mm High Performance ventilation Louvre door with extruded aluminium frame and sash, blades mounted on mullions & fixed to door sash. Door heights and widths are fully flexible to within loading capabilities.

Blade pitch: 50mm.

Material: Manufactured from extruded aluminium alloy 6063 T6.

Ironmongery: All door are fitted with QEF bespoke stainless steel hinges as drawn, Mila 3 point lock, Mila 40x40 euro cylinder, Mila aluminium pro linear lever handle and Mila shoot bolts (double doors only) as standard. Optional extra's include door closer(s) and panic bar(s). Note: Panic bar access handles do not match Mila pro linear handles.

Finish: Polyester powder coated to RAL or BS colour, in matt, satin or gloss finishes.

Dimensions: All Louvre doors are bespoke to clients needs. Max ope size 2.5m High X 2.2m Wide.

Performance: See QEF 50 High Performance Louvre Data Sheet.

Fixing: Door sets will require secondary support steelwork comprising of horizontal rails & vertical jamb posts.

Accessories: Bird / insect mesh, blanking / insulated blanking plate to rear.



Commercial Centre
Dublin Road
Kilkenny
Tel: +353 (0)56 776 4910
Fax: +353 (0)56 776 1557
Website: www.qefltd.ie
Email: sales@qefltd.ie

Drawn: RAB	Date: 14/04/16	Scale: NTS
Drg.No. D/50HP	Rev: A	