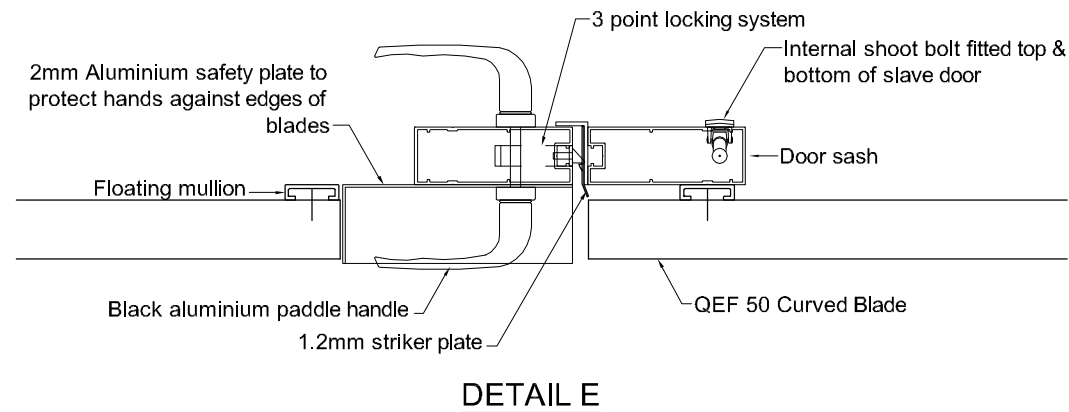
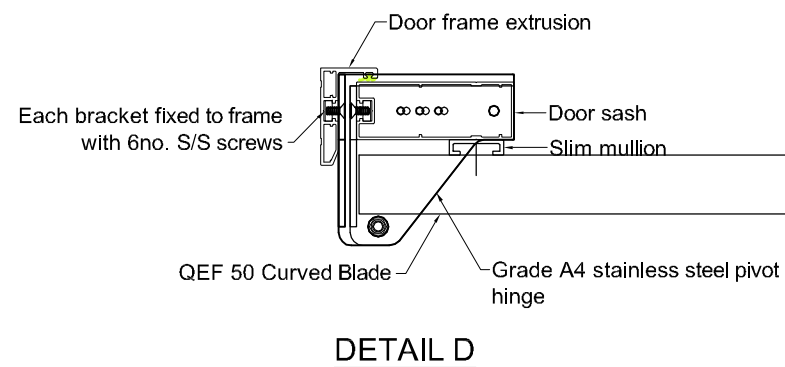
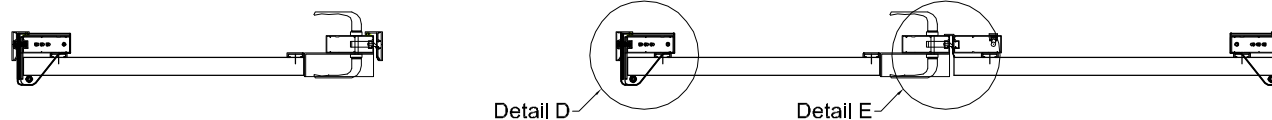
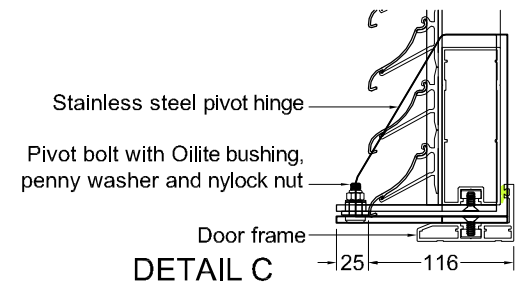
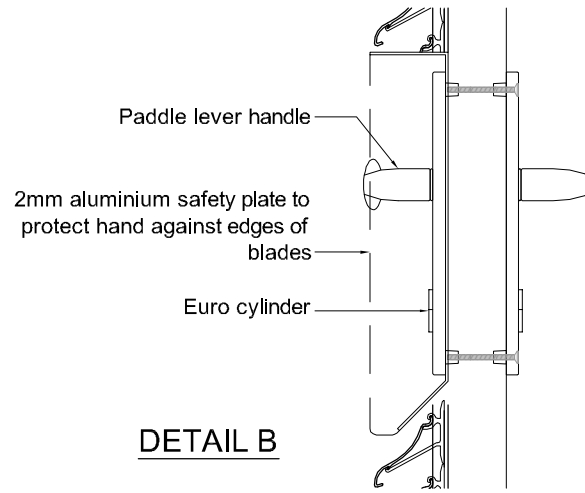
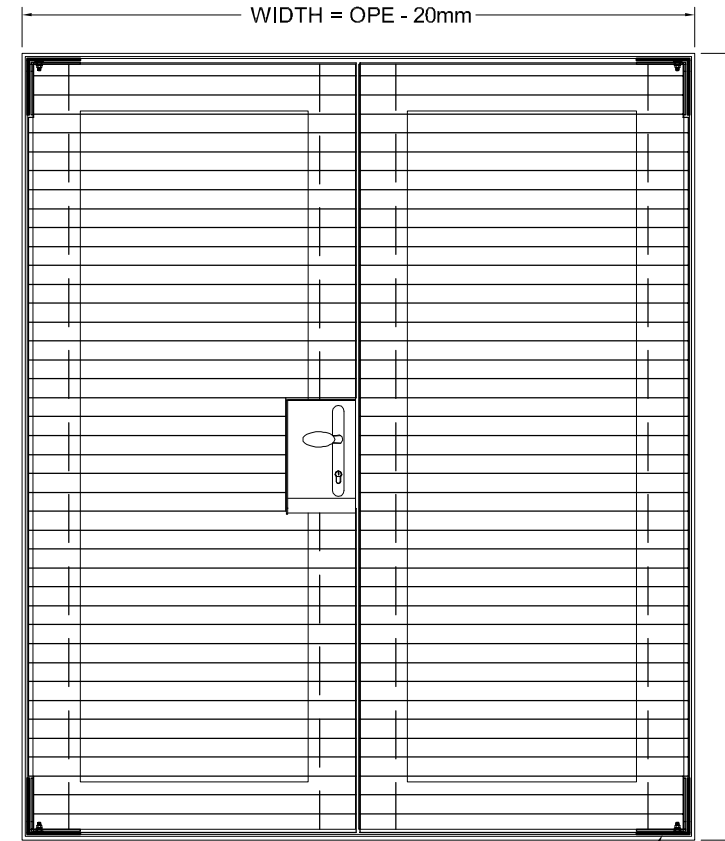
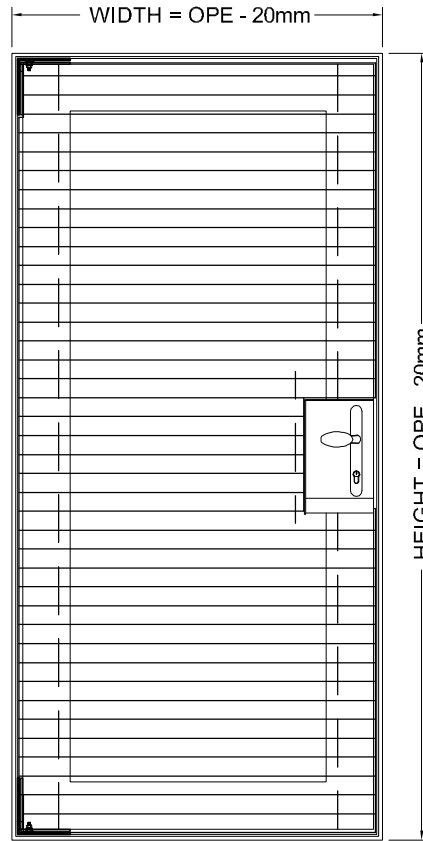
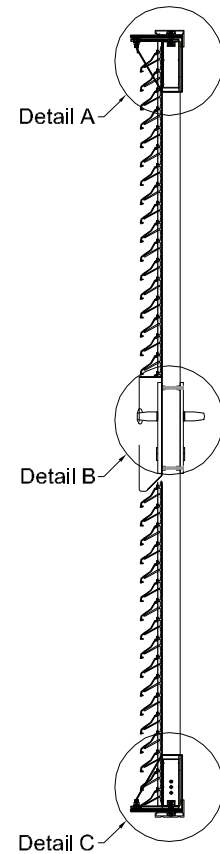
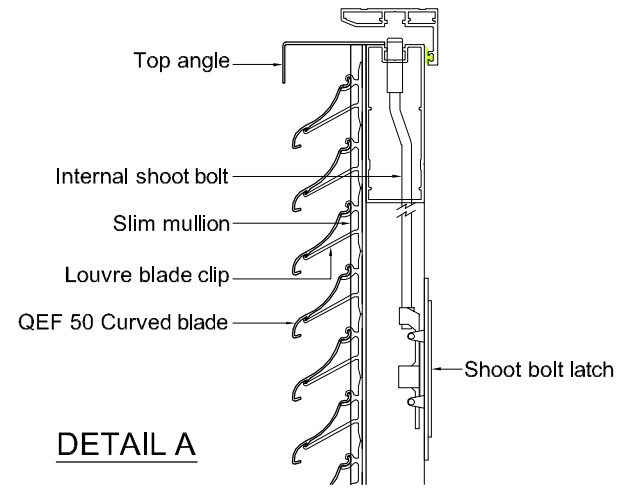


# QEF 50 Curved Blade Door Data Sheet



## Specification

**Manufacture & Reference:** QEF 50C Louvre System, supplied and installed by QEF Ltd.  
 Tel: +353 (0)56 776 4910  
 Fax: +353 (0)56 776 1557 .

**Description:** 50mm Curved ventilation Louvre door with extruded aluminium frame and sash, blades mounted on mullions & fixed to door sash. Door heights and widths are fully flexible to within loading capabilities.

**Blade pitch:** 50mm.

**Material:** Manufactured from extruded aluminium alloy 6063 T6.

**Ironmongery:** All door are fitted with QEF bespoke stainless steel hinges as drawn, Mila 3 point lock, Mila 40x40 euro cylinder, Mila aluminium pro linear lever handle and Mila shoot bolts (double doors only) as standard. Optional extra's include door closer(s) and panic bar(s). Note: Panic bar access handles do not match Mila pro linear handles.

**Finish:** Polyester powder coated to RAL or BS colour, in matt, satin or gloss finishes.

**Dimensions:** All Louvre doors are bespoke to clients needs. Max ope size 2.5m High X 2.2m Wide.

**Performance:** See QEF 50 Curved Blade Louvre Data Sheet.

**Fixing:** Where necessary, door sets will require secondary support steelwork comprising of horizontal rails & vertical jamb posts.

**Accessories:** Bird / insect mesh, blanking / insulated blanking plate to rear.

## Performance Classification

Limiting Face Velocity	Rating
0m/s Vent	A2
1m/s Vent	B2
2m/s Vent	C2

Results provided by BSRIA Limited against BSEN 13030



Commercial Centre  
 Dublin Road  
 Kilkenny

Tel: +353 (0)56 776 4910  
 Fax: +353 (0)56 776 1557  
 Website: www.qefltd.ie  
 Email:sales@qefltd.ie

Drawn: RAB	Date: 14/04/16	Scale: NTS
Drg.No: D/50C/H	Rev: A	