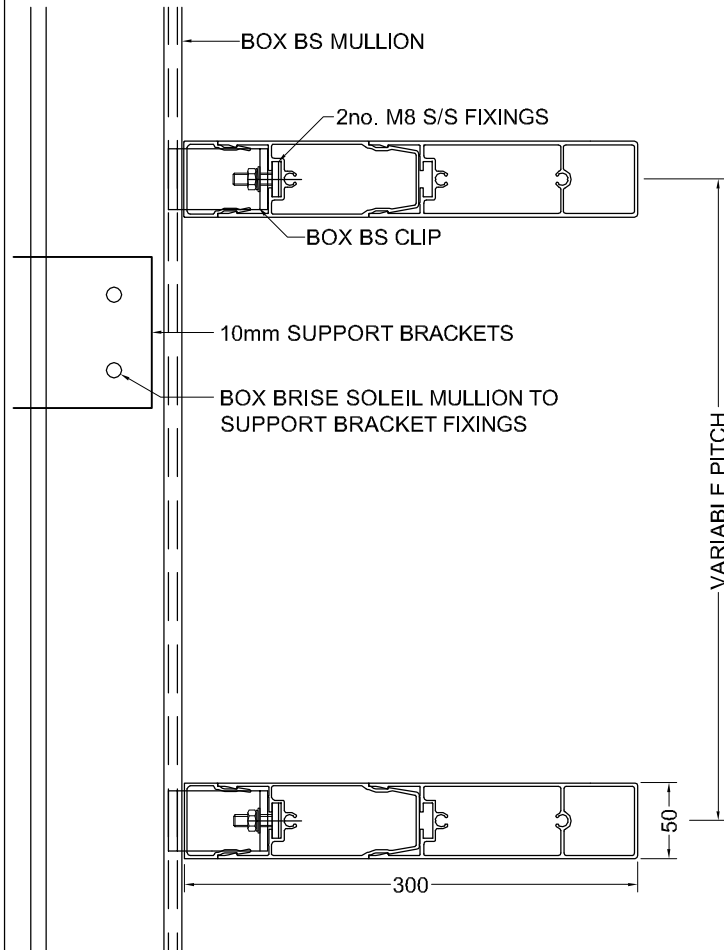
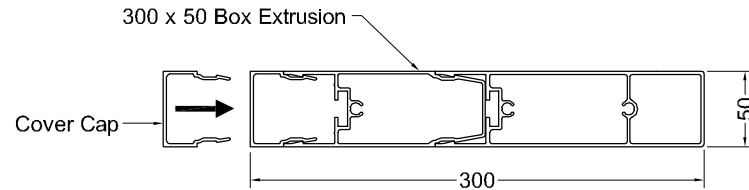


QEF 300 x 50 BOX BRISE SOLEIL

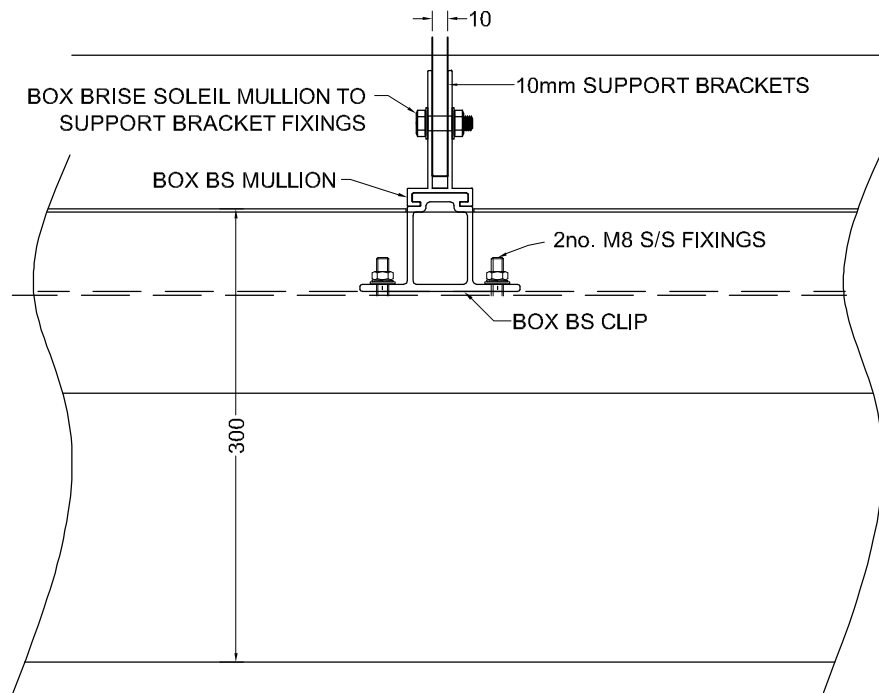
300 x 50 BOX PROFILE VARIABLE PITCHED TO CLIENTS SPECIFICATIONS



CROSS SECTION
BRISE SOLEIL FIXING DETAILS



CROSS SECTION THROUGH EXTRUSION
& COVER CAP DETAILS



PLAN SECTION
BRISE SOLEIL FIXING DETAILS

Specification

Manufacturer and reference: QEF 300 x 50 Boxl Brise Soleil system supplied and installed by QEF Ltd.
Tel: +353 (0)56 776 4910
Fax: +353 (0)56 776 1557.

Description: Extruded Aluminium Box Profile 300mm x 50mm fixed to Support Mullion.

Blade Pitch: Variable Pitch.

Material: System manufactured from extruded aluminium alloy 6063 T6.

Finish: Polyester powder coated to RAL or BS colour.

Dimensions: As shown on drawings. Max span between support arms dependant upon loading requirements. Bespoke side support arm profiles and blade orientation can be contract specific - customer must specify requirement.

Performance: Direct sunlight to be eliminated through the Brise Soleil up to 62°.

Fixing: To subcontractors details. A wide range of stainless, galvanised steel or aluminium fixing brackets, including steel, block & curtain walling.



Commercial Centre
Dublin Road
Kilkenny

Tel: +353 (0)56 776 4910
Fax: +353 (0)56 776 1557
Website: www.qefltd.ie
Email: sales@qefltd.ie

Drawn:	RS	Date:	14/04/16	Scale:	1:5
Drawn/No.:	R300.50/V/MC	Rev:			